

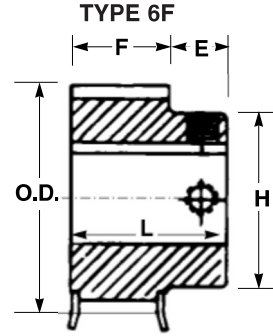
STS - S8M 15mm, 25mm, 40mm and 60mm

Note: Additional sizes may be available. Contact BANDO.

Part Number	List Price	Type	Number of Teeth	Nominal Dimensions (mm)						Bore (mm)		Weight*
				Pitch Dia.	Pulley OD	Flange OD	E	L	H	MPB	Max	
15mm F Dimension = 23mm, 17mm Between Flanges												
P18-S8M-15	44.68	6F	18	45.84	44.46	53	15	38	29	12	19	0.6
P19-S8M-15	47.14	6F	19	48.38	47.01	56	15	38	34	12	22	0.7
P20-S8M-15	49.60	6F	20	50.93	49.56	59	15	38	35	12	23	0.8
P21-S8M-15	52.05	6F	21	53.48	52.10	59	15	38	35	12	23	0.9
P22-S8M-15	54.73	6F	22	56.02	54.65	62	15	38	35	12	23	1.0
P24-S8M-15	59.65	6F	24	61.12	59.74	68	15	38	40	12	25	1.2
P26-S8M-15	64.34	6F	26	66.21	64.84	75	15	38	40	12	25	1.4
P28-S8M-15	69.48	6F	28	71.30	69.93	77	15	38	50	12	30	1.8
25mm F Dimension = 34mm, 28mm Between Flanges												
P18-S8M-25	75.73	6F	18	45.84	44.46	53	15	49	29	12	19	0.8
P19-S8M-25	79.97	6F	19	48.38	47.01	56	15	49	34	12	22	1.0
P20-S8M-25	84.21	6F	20	50.93	49.56	59	15	49	35	12	23	1.1
P21-S8M-25	85.12	6F	21	53.48	52.10	59	15	49	35	12	23	1.2
P22-S8M-25	88.86	6F	22	56.02	54.65	62	15	49	35	12	23	1.4
P24-S8M-25	88.85	6F	24	61.12	59.74	68	15	49	40	12	25	1.7
P26-S8M-25	89.05	6F	26	66.21	64.84	75	15	49	40	12	25	2.0
P28-S8M-25	91.82	6F	28	71.30	69.93	77	15	49	50	12	30	2.4
P30-S8M-25	91.82	6F	30	76.39	75.02	83	15	49	50	12	30	2.6
40mm F Dimension = 50mm, 44mm Between Flanges												
P18-S8M-40	81.85	6F	18	45.84	44.46	53	15	65	29	12	19	1.2
P19-S8M-40	85.31	6F	19	48.38	47.01	56	15	65	34	12	22	1.4
P20-S8M-40	89.84	6F	20	50.93	49.56	59	15	65	35	12	23	1.6
P21-S8M-40	90.91	6F	21	53.48	52.10	59	15	65	35	12	23	1.7
P22-S8M-40	94.79	6F	22	56.02	54.65	62	15	65	35	12	23	1.9
P24-S8M-40	100.82	6F	24	61.12	59.74	68	15	65	40	12	25	2.2
P26-S8M-40	107.23	6F	26	66.21	64.84	75	15	65	40	12	25	2.6
P28-S8M-40	112.55	6F	28	71.30	69.93	77	15	65	50	12	30	3.3
P30-S8M-40	115.52	6F	30	76.39	75.02	83	15	65	50	12	30	3.7
P32-S8M-40	118.48	6F	32	81.49	80.12	89	15	65	65	12	42	4.6
P34-S8M-40	118.48	6F	34	86.58	85.21	92	15	65	65	12	42	5.3
60mm F Dimension = 71mm, 65mm Between Flanges												
P18-S8M-60	93.50	6F	18	45.84	44.46	53	15	86	29	12	19	1.6
P19-S8M-60	97.43	6F	19	48.38	47.01	56	15	86	34	12	22	1.9
P20-S8M-60	102.68	6F	20	50.93	49.56	59	15	86	35	12	23	2.1
P21-S8M-60	103.83	6F	21	53.48	52.10	59	15	86	35	12	23	2.2
P22-S8M-60	109.20	6F	22	56.02	54.65	62	15	86	35	12	23	2.4
P24-S8M-60	109.59	6F	24	61.12	59.74	68	15	86	40	12	25	3.1
P26-S8M-60	110.59	6F	26	66.21	64.84	75	15	86	40	12	25	3.7
P28-S8M-60	112.55	6F	28	71.30	69.93	77	15	86	50	12	30	4.4
P30-S8M-60	124.41	6F	30	76.39	75.02	83	15	86	50	12	30	5.3
P32-S8M-60	127.36	6F	32	81.49	80.12	89	15	86	65	12	42	6.2
P34-S8M-60	136.25	6F	34	86.58	85.21	92	15	86	65	12	42	7.1

* Weights shown are approximate.

Dimensions shown are for reference purposes only and are subject to change without notice. Where space requirements are critical, consult BANDO for certified specifications.



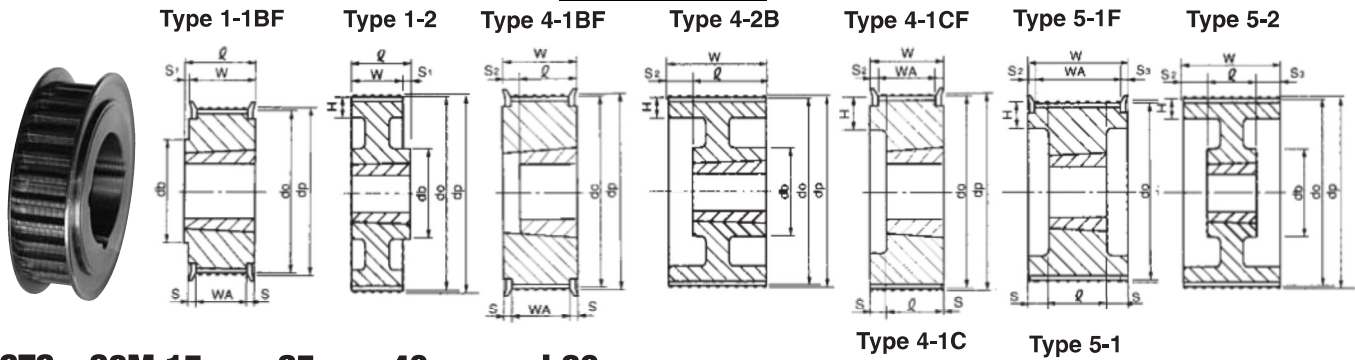
STS - S14M 40mm, 60mm, 80mm, 100mm and 120mm

Note: Additional sizes may be available. Contact BANDO.

Part Number	List Price	Type	Number of Teeth	Nominal Dimensions (mm)						Bore (mm)		Weight*
				Pitch Dia.	Pulley OD	Flange OD	E	L	H	MPB	Max	
40mm F Dimension = 23mm, 17mm Between Flanges												
P28-S14M-40	133.30	6F	28	124.78	121.98	136	20	72	100	25	62	11.5
P30-S14M-40	181.18	6F	30	133.69	130.90	145	20	72	110	25	62	13.7
P32-S14M-40	207.95	6F	32	142.60	139.81	154	20	72	110	25	62	15.2
P34-S14M-40	236.57	6F	34	151.52	148.72	163	20	72	130	25	75	18.3
P36-S14M-40	267.12	6F	36	160.43	157.63	172	20	72	130	25	75	20.3
P40-S14M-40	299.42	6F	40	178.25	175.46	189	20	72	130	30	75	24.0
60mm F Dimension = 73mm, 67mm Between Flanges												
P28-S14M-60	219.20	6F	28	124.78	121.98	136	20	93	100	25	62	15.2
P30-S14M-60	236.96	6F	30	133.69	130.90	145	20	93	110	25	62	17.9
P32-S14M-60	260.65	6F	32	142.60	139.81	154	20	93	110	25	62	20.3
P34-S14M-60	269.54	6F	34	151.52	148.72	163	20	93	130	25	75	24.0
P36-S14M-60	304.33	6F	36	160.43	157.63	172	20	93	130	25	75	26.7
P40-S14M-60	341.21	6F	40	178.25	175.46	189	20	93	130	30	75	32.0
80mm F Dimension = 94mm, 88mm Between Flanges												
P28-S14M-80	230.39	6F	28	124.78	121.98	136	20	114	100	25	62	19.0
P30-S14M-80	293.93	6F	30	133.69	130.90	145	20	114	110	25	62	22.3
P32-S14M-80	337.43	6F	32	142.60	139.81	154	20	114	110	25	62	25.1
P34-S14M-80	345.53	6F	34	151.52	148.72	163	20	114	130	25	75	29.8
P36-S14M-80	361.39	6F	36	160.43	157.63	172	20	114	130	25	75	33.1
P40-S14M-80	393.57	6F	40	178.25	175.46	189	20	114	130	30	75	39.9
100mm F Dimension = 115mm, 109mm Between Flanges												
P28-S14M-100	294.81	6F	26	124.78	121.98	136	20	135	100	25	62	22.3
P30-S14M-100	309.00	6F	30	133.69	130.90	145	20	135	110	25	62	26.5
P32-S14M-100	335.53	6F	32	142.60	139.81	154	20	135	110	25	62	30.2
P34-S14M-100	353.15	6F	34	151.52	148.72	163	20	135	130	25	75	35.3
P36-S14M-100	366.59	6F	36	160.43	157.63	172	20	135	130	25	75	39.5
P40-S14M-100	397.26	6F	40	178.25	175.46	189	20	135	130	30	75	47.8
120mm F Dimension = 136mm, 130mm Between Flanges												
P28-S14M-120	349.52	6F	28	124.78	121.98	136	20	156	100	25	62	26.2
P30-S14M-120	382.10	6F	30	133.69	130.90	145	20	156	110	25	62	30.9
P32-S14M-120	396.92	6F	32	142.60	139.81	154	20	156	110	25	62	35.1
P34-S14M-120	399.88	6F	34	151.52	148.72	163	20	156	130	25	75	41.0
P36-S14M-120	405.80	6F	36	160.43	157.63	172	20	156	130	25	75	45.9
P40-S14M-120	444.30	6F	40	178.25	175.46	189	20	156	130	30	75	56.0

* Weights shown are approximate.

Dimensions shown are for reference purposes only and are subject to change without notice. Where space requirements are critical, consult BANDO for certified specifications.



STS - S8M 15mm, 25mm, 40mm and 60mm

Type 4-1C Type 5-1
Note: Additional sizes may be available. Contact BANDO.

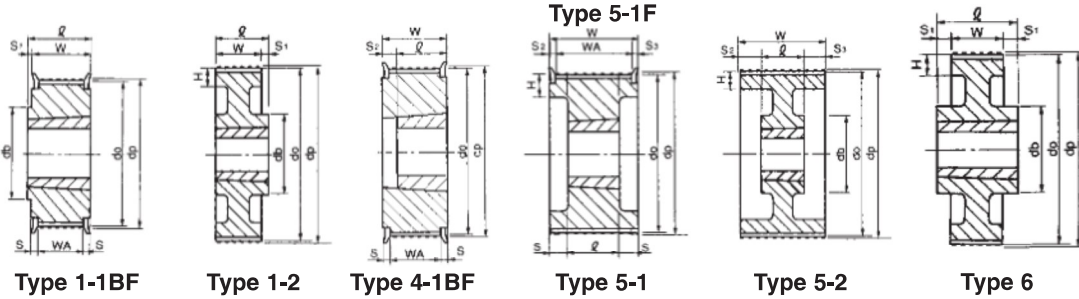
Part Number	List Price	Type	No. of Teeth	Nominal Dimensions (mm)													Bushing	Weight*
				Pitch Dia.	Pulley OD	Flange OD	W	WA	S	db	ℓ	S ₁	S ₂	S ₃	H			
15mm																		
TL28-S8M-15	62.21	1-1BF	28	71.30	69.93	77	23	17	3	47	25	2	—	—	—	1108	1.0	
TL30-S8M-15	65.17	1-1BF	30	76.39	75.02	83	23	17	3	57	25	2	—	—	—	1108	1.0	
TL32-S8M-15	68.12	1-1BF	32	81.49	80.12	89	23	17	3	60	25	2	—	—	—	1210	1.5	
TL34-S8M-15	68.12	1-1BF	34	86.59	85.21	92	23	17	3	60	25	2	—	—	—	1610	1.7	
TL36-S8M-15	71.08	1-1BF	36	91.67	90.30	98	23	17	3	70	35	12	—	—	—	1610	2.2	
TL38-S8M-15	74.05	1-1BF	38	96.77	95.39	103	23	17	3	75	35	12	—	—	—	1610	2.9	
TL40-S8M-15	76.99	1-1BF	40	101.86	100.49	108	23	17	3	80	35	12	—	—	—	2012	3.7	
TL44-S8M-15	91.82	1-1BF	44	112.05	110.67	120	23	17	3	80	35	12	—	—	—	2012	4.6	
TL48-S8M-15	103.67	1-1BF	48	122.23	120.86	129	23	17	3	80	35	12	—	—	—	2012	5.3	
TL50-S8M-15	109.60	1-1BF	50	127.32	125.95	136	23	17	3	80	35	12	—	—	—	2012	7.5	
TL60-S8M-15	142.19	1-1BF	60	152.79	151.42	160	23	17	3	80	35	12	—	—	—	2012	10.8	
TL64-S8M-15	145.14	1-1BF	64	162.97	161.60	171	23	17	3	80	35	12	—	—	—	2012	4.0	
TL72-S8M-15	148.10	1-2	72	183.35	181.97	—	23	—	—	100	40	17	—	—	15	2012	11.2	
TL84-S8M-15	156.99	1-2	84	213.90	212.53	—	23	—	—	100	40	17	—	—	15	2012	12.8	
25mm																		
TL28-S8M-25	91.82	1-1BF	28	71.30	69.93	77	34	28	3	63	35	1	—	—	—	1108	1.4	
TL30-S8M-25	91.82	1-1BF	30	76.39	75.02	83	34	28	3	63	35	1	—	—	—	1108	1.6	
TL32-S8M-25	94.79	1-1BF	32	81.49	80.12	89	34	28	3	63	35	1	—	—	—	1210	1.8	
TL34-S8M-25	85.89	1-1BF	34	86.59	85.21	92	34	28	3	63	35	1	—	—	—	1610	2.2	
TL36-S8M-25	88.86	1-1BF	36	91.67	90.30	98	34	28	3	63	35	1	—	—	—	1610	2.6	
TL38-S8M-25	91.82	1-1BF	38	96.77	95.39	103	34	28	3	80	40	6	—	—	—	1610	2.9	
TL40-S8M-25	97.75	1-1BF	40	101.86	100.49	108	34	28	3	80	40	6	—	—	—	2012	3.1	
TL44-S8M-25	112.55	1-1BF	44	112.05	110.67	120	34	28	3	80	40	6	—	—	—	2012	4.2	
TL48-S8M-25	130.33	1-1BF	48	122.23	120.86	129	34	28	3	90	40	6	—	—	—	2012	5.3	
TL50-S8M-25	139.22	1-1BF	50	127.32	125.95	136	34	28	3	90	40	6	—	—	—	2012	6.0	
TL60-S8M-25	177.72	1-1BF	60	152.79	151.42	160	34	28	3	90	40	6	—	—	—	2012	9.3	
TL64-S8M-25	177.72	1-1BF	64	162.97	161.60	171	34	28	3	90	40	6	—	—	—	2012	10.6	
TL72-S8M-25	180.69	1-2	72	183.35	181.97	—	34	—	—	100	40	6	—	—	15	2517	13.9	
TL84-S8M-25	195.50	1-2	84	213.90	212.53	—	34	—	—	140	45	11	—	—	15	2517	19.0	
TL96-S8M-25	201.42	1-2	96	244.46	243.09	—	34	—	—	140	45	11	—	—	15	2517	19.0	
TL120-S8M-25	251.77	1-2	120	305.58	304.21	—	34	—	—	140	45	11	—	—	16	2517	24.3	
40mm																		
TL30-S8M-40	106.12	4-1BF	30	76.39	75.02	83	50	44	3	—	40	—	10	—	—	1108	2.3	
TL32-S8M-40	118.48	4-1BF	32	81.49	80.12	89	50	44	3	—	40	—	10	—	—	1210	2.5	
TL34-S8M-40	118.48	4-1BF	34	86.59	85.21	92	50	44	3	—	40	—	10	—	—	1210	2.7	
TL36-S8M-40	121.44	4-1BF	36	91.67	90.30	98	50	44	3	—	40	—	10	—	—	1610	2.9	
TL38-S8M-40	121.44	4-1BF	38	96.77	95.39	103	50	44	3	—	40	—	10	—	—	1610	3.5	
TL40-S8M-40	127.36	4-1BF	40	101.86	100.49	108	50	44	3	—	40	—	10	—	—	2012	4.2	
TL44-S8M-40	133.30	4-1BF	44	112.05	110.67	120	50	44	3	—	40	—	10	—	—	2012	5.5	
TL48-S8M-40	139.22	4-1BF	48	122.23	120.86	129	50	44	3	—	45	—	5	—	—	2012	5.7	
TL50-S8M-40	151.06	4-1BF	50	127.32	125.95	136	50	44	3	—	45	—	5	—	—	2012	6.0	
TL60-S8M-40	183.65	4-1CF	60	152.79	151.42	160	50	44	3	—	45	—	5	—	15	2517	10.8	
TL64-S8M-40	192.53	4-1CF	64	162.97	161.60	171	50	44	3	—	45	—	5	—	15	2517	12.8	
TL72-S8M-40	201.85	4-1C	72	183.35	181.97	—	50	—	—	—	45	—	5	—	15	2517	15.9	
TL84-S8M-40	219.20	4-2B	84	213.90	212.53	—	50	—	—	125	45	—	5	—	15	3020	22.9	
TL96-S8M-40	263.63	4-2B	96	244.46	243.09	—	50	—	—	140	45	—	5	—	15	3020	24.7	
TL120-S8M-40	331.75	4-2B	120	305.58	304.21	—	50	—	—	140	45	—	5	—	16	3020	29.8	
TL144-S8M-40	530.20	1-2	144	366.69	356.32	—	50	—	—	180	45	—	5	—	16	3020	37.5	
TL156-S8M-40	727.68	1-2	156	397.25	395.88	—	50	—	—	180	55	—	5	—	16	3020	46.3	
60mm																		
TL30-S8M-60	120.26	4-1BF	30	76.39	75.02	83	71	65	3	—	45	—	10	—	—	1108	4.1	
TL32-S8M-60	128.36	4-1BF	32	81.49	80.12	89	71	65	3	—	45	—	10	—	—	1108	4.5	
TL34-S8M-60	136.25	4-1BF	34	86.59	85.21	92	71	65	3	—	45	—	10	—	—	1610	4.9	
TL36-S8M-60	142.19	4-1BF	36	91.67	90.30	98	71	65	3	—	45	—	10	—	—	1610	5.3	
TL38-S8M-60	145.14	4-1BF	38	96.77	95.39	103	71	65	3	—	45	—	10	—	—	1610	5.7	
TL40-S8M-60	151.06	4-1BF	40	101.86	100.49	108	71	65	3	—	45	—	10	—	—	2012	6.2	
TL44-S8M-60	171.80	5-1F	44	112.05	110.67	120	71	65	3	—	45	—	26	—	—	2012	6.6	
TL48-S8M-60	177.72	5-1	48	122.23	120.86	129	71	65	3	—	45	—	26	—	—	2517	7.1	
TL50-S8M-60	180.69	5-2	50	127.32	125.95	136	71	65	3	—	45	—	26	—	—	2517	8.2	
TL60-S8M-60	231.04	5-2	60	152.79	151.42	160	71	65	3	—	45	—	15	11	16	3020	13.4	
TL64-S8M-60	242.89	5-2	64	162.97	161.60	171	71	—	—	—	45	—	15	11	16	3020	15.2	
TL72-S8M-60	248.46	5-2	72	183.35	181.97	—	71	—	—	—	45	—	15	11	16	3020	19.4	
TL84-S8M-60	313.33	5-2	84	213.90	212.53	—	71	—	—	125	45	—	15	11	16	3020	27.1	
TL96-S8M-60	346.56	5-2	96	244.46	243.09	—	71	—	—	160	55	—	5	11	16	3020	36.8	
TL120-S8M-60	438.39	5-2	120	305.58	304.21	—	71	—	—	180	55	—	5	11	16	3020	43.7	
TL144-S8M-60	447.93	5-2	144	366.69	356.32	—	71	—	—	180	55	—	5	11	16	3020	51.6	
TL156-S8M-60	452.62	5-2	156	397.25	395.88	—	71	—	—	180	55	—	5	11	16	3525	55.1	

Some sizes may be non-stock - consult BANDO for availability.

* Weights shown are approximate. Dimensions shown are for reference purposes only.

To find an authorized BANDO distributor, go to www.bandousa.com or call 1-800-829-6612

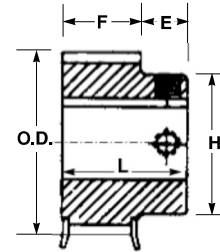
BANDO



STS - S14M 40mm, 60mm, 80mm, 100mm and 120mm

Note: Additional sizes may be available. Contact BANDO.

Part Number	List Price	Type	No. of Teeth	Pitch Dia.	Pulley OD	Flange OD	Nominal Dimensions (mm)										Bushing	Weight* (Lbs.)
							W	WA	S	db	ℓ	S1	S2	S3	H			
40mm																		
TL28-S14M-40	133.30	4-1BF	28	124.78	121.98	136	52	46	3	—	45	—	7	—	—	2012	5.1	
TL30-S14M-40	145.14	4-1BF	30	133.69	130.90	145	52	46	3	—	45	—	7	—	—	2517	6.6	
TL32-S14M-40	159.95	4-1BF	32	142.60	139.81	154	52	46	3	—	45	—	7	—	—	2517	8.4	
TL34-S14M-40	168.39	4-1BF	34	151.52	148.72	163	52	46	3	—	45	—	7	—	—	2517	10.1	
TL36-S14M-40	177.57	4-1BF	36	160.43	157.63	172	52	46	3	—	45	—	7	—	—	2517	11.9	
TL40-S14M-40	210.31	5-1F	40	178.25	175.46	189	52	46	3	—	45	—	5	2	18	3020	16.5	
TL42-S14M-40	242.89	5-1F	42	187.17	184.37	198	52	46	3	—	45	—	5	2	18	3020	18.7	
TL44-S14M-40	248.82	5-1F	44	196.08	193.28	207	52	46	3	—	45	—	5	2	18	3020	21.2	
TL48-S14M-40	257.70	5-2F	48	213.90	211.11	225	52	46	3	125	45	—	5	2	18	3020	26.2	
TL50-S14M-40	269.54	5-2F	50	222.82	220.02	234	52	46	3	125	45	—	5	2	18	3020	22.9	
TL60-S14M-40	355.45	5-2	60	267.38	264.59	—	52	—	—	140	45	—	5	2	18	3525	26.9	
TL72-S14M-40	426.54	1-2	72	320.86	318.06	—	52	—	—	180	55	3	—	—	18	3525	39.9	
TL84-S14M-40	438.39	1-2	84	374.33	371.54	—	52	—	—	180	55	3	—	—	18	3525	46.3	
TL96-S14M-40	541.22	1-2	96	427.81	425.01	—	52	—	—	180	55	3	—	—	18	3525	52.9	
TL120-S14M-40	614.27	6	120	534.76	531.97	—	52	—	—	180	80	14	—	—	18	3525	81.6	
60mm																		
TL28-S14M-60	229.05	4-1CF	28	124.78	121.98	136	73	67	3	—	45	—	28	—	18	2517	7.1	
TL30-S14M-60	236.96	4-1CF	30	133.69	130.90	145	73	67	3	—	45	—	28	—	18	2517	9.3	
TL32-S14M-60	260.65	4-1CF	32	142.60	139.81	154	73	67	3	—	45	—	28	—	18	2517	11.5	
TL34-S14M-60	269.54	5-1F	34	151.52	148.72	163	73	67	3	—	45	—	20	8	18	2517	12.1	
TL36-S14M-60	281.40	5-1F	36	160.43	157.63	172	73	67	3	—	45	—	20	8	18	3020	13.9	
TL40-S14M-60	299.17	5-1F	40	178.25	175.46	189	73	67	3	—	45	—	20	8	18	3020	17.9	
TL42-S14M-60	318.10	5-1F	42	187.17	184.37	198	73	67	3	—	55	—	10	8	18	3020	19.8	
TL44-S14M-60	324.01	5-1F	44	196.08	193.28	207	73	67	3	—	55	—	10	8	18	3020	21.6	
TL48-S14M-60	335.64	5-1F	48	213.90	211.11	225	73	67	3	—	55	—	10	8	18	3525	27.1	
TL50-S14M-60	343.59	5-1F	50	222.82	220.02	234	73	67	3	—	55	—	10	8	18	3525	30.0	
TL60-S14M-60	453.19	5-2	60	267.38	264.59	—	73	—	—	180	55	—	10	8	18	3525	44.1	
TL72-S14M-60	497.62	5-2	72	320.86	318.06	—	73	—	—	180	55	—	10	8	18	3525	48.5	
TL84-S14M-60	595.37	1-2	84	374.33	371.54	—	73	—	—	180	80	7	—	—	18	3525	63.9	
TL96-S14M-60	668.58	1-2	96	427.81	425.01	—	73	—	—	180	80	7	—	—	18	4030	75.0	
TL120-S14M-60	716.81	1-2	120	534.76	531.97	—	73	—	—	212	90	17	—	—	20	4030	108.0	
80mm																		
TL36-S14M-80	303.07	4-1BF	36	160.43	157.63	172	94	88	3	—	55	—	39	—	—	3020	15.0	
TL40-S14M-80	326.77	4-1BF	40	178.25	175.46	189	94	88	3	—	55	—	39	—	—	3020	22.3	
TL42-S14M-80	329.35	5-1F	42	187.17	184.37	198	94	88	3	—	55	—	25	14	20	3020	24.5	
TL44-S14M-80	343.23	5-1F	44	196.08	193.28	207	94	88	3	—	55	—	25	14	20	3525	25.1	
TL48-S14M-80	392.01	5-1F	48	213.90	211.11	225	94	88	3	—	55	—	25	14	20	3525	31.1	
TL50-S14M-80	413.42	5-1F	50	222.82	220.02	234	94	88	3	—	55	—	25	14	20	3525	34.2	
TL60-S14M-80	568.91	5-2	60	267.38	264.59	—	94	—	—	160	80	—	10	4	20	4030	55.1	
TL72-S14M-80	648.12	5-2	72	320.86	318.06	—	94	—	—	180	80	—	10	4	20	4030	63.9	
TL84-S14M-80	654.45	4-2A	84	374.33	371.54	—	94	—	—	212	90	—	—	4	20	4030	86.0	
TL96-S14M-80	792.69	4-2A	96	427.81	425.01	—	94	—	—	212	90	—	—	4	20	4030	97.0	
TL120-S14M-80	849.87	4-2A	120	534.76	531.97	—	94	—	—	212	90	—	—	4	20	4535	123.5	
TL144-S14M-80	1024.25	4-2A	144	641.71	638.92	—	94	—	—	236	90	—	—	4	20	5040	165.3	
TL156-S14M-80	1329.74	4-2A	156	695.19	692.39	—	94	—	—	236	90	—	—	4	20	5040	187.4	
100mm																		
TL36-S14M-100	343.99	4-1BF	36	160.43	157.63	172	115	109	3	—	80	—	35	—	—	3020	19.2	
TL40-S14M-100	365.36	5-1F	40	178.25	175.46	189	115	109	3	—	80	—	25	10	20	3020	27.1	
TL42-S14M-100	382.60	5-1F	42	187.17	184.37	198	115	109	3	—	80	—	25	10	20	3020	31.7	
TL44-S14M-100	418.24	5-1F	44	196.08	193.28	207	115	109	3	—	80	—	20	15	20	3525	32.6	
TL48-S14M-100	454.96	5-1F	48	213.90	211.11	225	115	109	3	—	80	—	20	15	20	3525	40.8	
TL50-S14M-100	493.98	5-1F	50	222.82	220.02	234	115	109	3	—	80	—	20	15	20	3525	44.1	
TL60-S14M-100	656.65	5-1	60	267.38	264.59	—	115	—	—	—	90	—	10	15	20	4030	66.1	
TL72-S14M-100	753.38	5-2	72	320.86	318.06	—	115	—	—	200	90	—	10	15	20	4030	83.8	
TL84-S14M-100	765.55	5-2	84	374.33	371.54	—	115	—	—	212	90	—	10	15	20	4030	94.8	
TL96-S14M-100	914.14	5-2	96	427.81	425.01	—	115	—	—	236	90	—	10	15	20	4030	119.0	
TL120-S14M-100	1177.98	5-2	120	534.76	531.97	—	115	—	—	236	90	—	10	15	20	4535	149.9	
TL144-S14M-100	1408.93	4-2A	144	641.71	638.92	—	115	—	—	265	110	—	—	5	20	5040	198.4	
TL156-S14M-100	1665.64	4-2A	156	695.19	692.39	—	115	—	—	265	110	—	—	5	20	5040	224.9	
120mm																		
TL40-S14M-120	399.78	5-1F	40	178.25	175.46	189	136	130	3	—	80	—	40	16	20	3020	27.8	
TL42-S14M-120	445.45	5-1F	42	187.17	184.37	198	136	130	3	—	80	—	40	16	20	3020	31.5	
TL44-S14M-120	493.56	5-1F	44	196.08	193.28	207	136	130	3	—	80	—	40	16	20	3020	36.6	
TL48-S14M-120	544.34	5-1F	48	213.90	211.11	225	136	130	3	—	80	—	40	16	20	3020	44.1	
TL50-S14M-120	591.43	5-1F	50	222.82	220.02	234	136	130	3	—	80	—	40	16	20	4535	48.5	
TL60-S14M-120	788.68	5-1	60	267.38	264.59	—	136	—	—	—	90	—	30	16	20	4535	72.8	
TL72-S14M-120	922.48	5-2	72	320.86	318.06	—	136	—	—	200	90	—	30	16	20	5040	110.2	
TL84-S14M-120	984.43	5-2	84	374.33	371.54	—	136	—	—	236	90	—	30	16	20	5040	114.6	
TL96-S14M-120	1098.00	5-2	96	427.81	425.01	—	136	—	—	236	90	—	30	16	20	5040	134.5	
TL120-S14M-120	1409.30	5-2	120	534.76	531.97	—	136	—	—	265	110	—	10	16	20	6050	191.8	
TL144-S14M-120	1687.74	5-2	144	641.71	638.92	—	136	—	—	265	110	—	10	16	20	6050	231.5	
TL156																		



TYPE 6F

5mm Pitch (HT) for 15mm and 25mm Wide Belts

Part Number	List Price	Type	Number of Teeth	Nominal Dimensions (in)								Weight* (Lbs.)
				Pitch Dia.	Pulley OP	Flange OD	E	L	H	Bore		
										MPB	Max.	
15mm F Dimension = 0.84"												
P32-5M-15	63.20	6F	32	2.005	1.960	2.160	1/2	1-11/32	1-9/16	1/2	.88	.84
P34-5M-15	64.78	6F	34	2.130	2.085	2.295	1/2	1-11/32	1-11/16	1/2	1.00	.93
P36-5M-15	66.36	6F	36	2.256	2.211	2.410	1/2	1-11/32	1-13/16	1/2	1.12	1.03
25mm F Dimension = 1.23"												
P32-5M-25	64.78	6F	32	2.005	1.960	2.165	1/2	1-23/32	1-9/16	1/2	.88	1.19
P34-5M-25	67.16	6F	34	2.130	2.085	2.290	1/2	1-23/32	1-11/16	1/2	1.00	1.38
P36-5M-25	69.52	6F	36	2.256	2.211	2.415	1/2	1-23/32	1-13/16	1/2	1.12	1.56

8mm Pitch (HT) for 20mm and 30mm Wide Belts

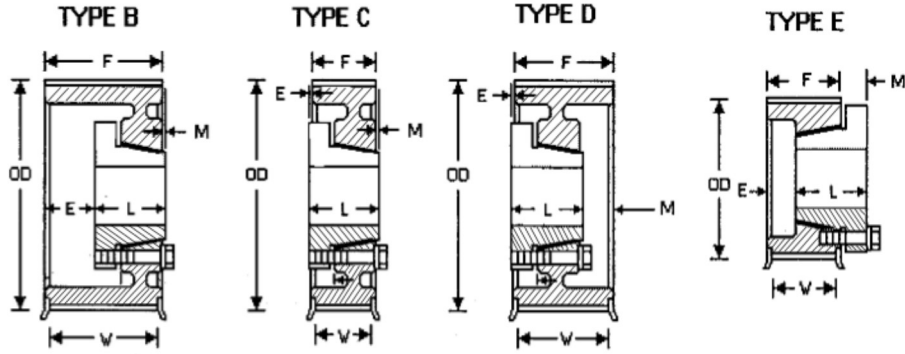
Part Number	List Price	Type	Number of Teeth	Nominal Dimensions (in)								Weight* (Lbs.)
				Pitch Dia.	Pulley OP	Flange OD	E	L	H	Bore		
										MPB	Max.	
20mm F Dimension = 1-5/32"												
P22-8M-20	82.16	6F	22	2.206	2.152	2.559	5/8	1-3/4	1-5/8	1/2	1-3/16	1.1
30mm F Dimension = 1-17/32"												
P22-8M-30	83.74	6F	22	2.206	2.152	2.559	5/8	2-1/8	1-5/8	1/2	1-3/16	1.4
P24-8M-30	85.32	6F	24	2.406	2.352	2.756	5/8	2-1/8	1-13/16	1/2	1-1/4	1.8
P26-8M-30	88.48	6F	26	2.607	2.553	2.953	5/8	2-1/4	2	1/2	1-1/4	2.2

14mm Pitch (HT) for 85mm and 115mm Wide Belts

Part Number	List Price	Type	Number of Teeth	Nominal Dimensions (in)								Weight* (Lbs.)
				Pitch Dia.	Pulley OP	Flange OD	E	L	H	Bore		
										MPB	Max.	
85mm F Dimension = 4.0"												
P28-14M-85	205.40	D1F	28	4.912	4.808	5.56	1	4	3-11/16	1-1/4	2-11/16	17
P29-14M-85	206.98	D1F	29	5.088	4.983	5.56	1	4	3-11/16	1-1/4	2-11/16	18
115mm F Dimension = 5-1/4"												
P28-14M-115	252.80	D1F	28	4.912	4.808	5.56	1-1/4	5	3-11/16	1-1/4	2-11/16	21
P29-14M-115	260.70	D1F	29	5.088	4.983	5.56	1-1/4	5	3-11/16	1-1/4	2-11/16	23

* Weights shown are approximate.

Dimensions shown are for reference purposes only and are subject to change without notice. Where space requirements are critical, consult BANDO for certified specifications.



5mm Pitch (HT) for 15mm and 25mm Wide Belts

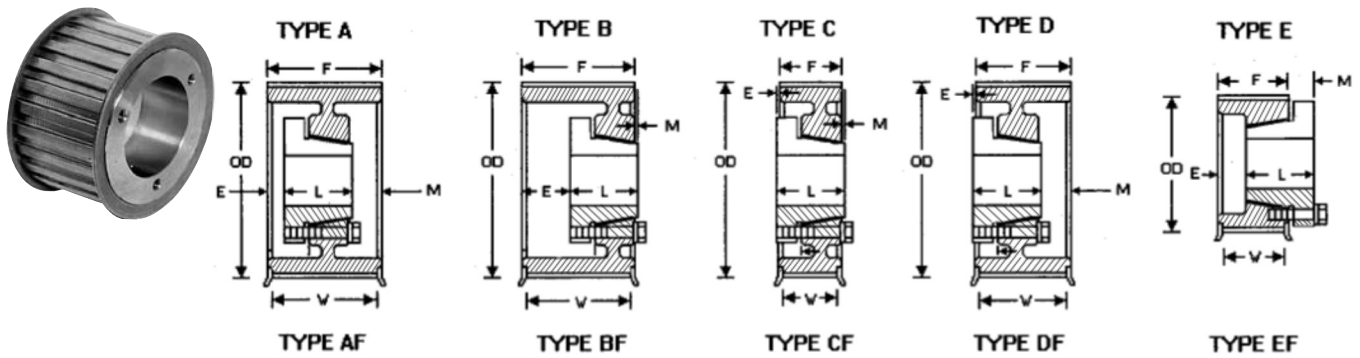
Part Number	List Price†	Type	Number of Teeth	Nominal Dimensions (in)								Bushing	Weight* (Lbs.)
				Pitch Dia.	Pulley OD	Flange OD	E	L	F	M	W		
15mm (15)													
P38-5M-15	56.88	E1F	38	2.381	2.336	2.54	0.28	1.00	0.84	0.44	0.65	JA	0.61
P40-5M-15	58.46	E1F	40	2.506	2.461	2.66	0.28	1.00	0.84	0.44	0.65	JA	0.72
P44-5M-15	60.04	E1F	44	2.757	2.712	2.91	0.28	1.00	0.84	0.44	0.65	JA	0.95
P48-5M-15	61.62	C1F	48	3.008	2.963	3.16	0.16	1.00	0.84	0.00	0.65	JA	0.97
P52-5M-15	63.20	C1F	52	3.258	3.213	3.41	0.16	1.00	0.84	0.00	0.65	JA	1.17
P56-5M-15	66.36	D1F	56	3.509	3.464	3.66	0.50	1.25	0.84	0.09	0.65	SH	1.37
P60-5M-15	69.52	D1F	60	3.760	3.715	3.92	0.50	1.25	0.84	0.09	0.65	SH	1.68
P64-5M-15	82.16	D1F	64	4.010	3.965	4.16	0.50	1.25	0.84	0.09	0.65	SH	1.80
P68-5M-15	85.32	C1F	68	4.261	4.216	4.41	0.47	1.31	0.84	0.00	0.65	SDS	2.10
P72-5M-15	88.48	C1F	72	4.511	4.466	4.66	0.47	1.31	0.84	0.00	0.65	SDS	2.43
P80-5M-15	91.64	C1	80	5.013	4.968	-	0.47	1.31	0.84	0.00	0.65	SDS	3.15
P90-5M-15	94.80	C1	90	5.639	5.594	-	0.47	1.31	0.84	0.00	0.65	SDS	4.17
P112-5M-15	97.96	C1	112	7.018	6.973	-	0.47	1.31	0.84	0.00	0.65	SDS	6.75
25mm (25)													
P38-5M-25	60.04	E1F	38	2.381	2.336	2.54	0.67	1.00	1.23	0.44	1.04	JA	0.94
P40-5M-25	63.20	E1F	40	2.506	2.461	2.66	0.67	1.00	1.23	0.44	1.04	JA	1.06
P44-5M-25	66.36	E1F	44	2.757	2.712	2.91	0.67	1.00	1.23	0.44	1.04	JA	1.13
P48-5M-25	69.52	B1F	48	3.008	2.963	3.16	0.23	1.00	1.23	0.00	1.04	JA	1.20
P52-5M-25	72.68	B1F	52	3.258	3.213	3.41	0.23	1.00	1.23	0.00	1.04	JA	1.75
P56-5M-25	75.84	D1F	56	3.509	3.464	3.66	0.08	1.25	1.23	0.06	1.04	SH	1.75
P60-5M-25	79.00	D1F	60	3.760	3.715	3.92	0.08	1.25	1.23	0.06	1.04	SH	2.13
P64-5M-25	86.90	D1F	64	4.010	3.965	4.16	0.08	1.25	1.23	0.06	1.04	SH	2.50
P68-5M-25	93.22	C1F	68	4.261	4.216	4.41	0.08	1.31	1.23	0.00	1.04	SDS	2.63
P72-5M-25	96.38	C1F	72	4.511	4.466	4.66	0.08	1.31	1.23	0.00	1.04	SDS	3.00
P80-5M-25	99.54	C1	80	5.013	4.968	-	0.08	1.31	1.23	0.00	1.04	SDS	3.81
P90-5M-25	102.70	C1	90	5.639	5.594	-	0.08	1.31	1.23	0.00	1.04	SDS	4.69
P112-5M-25	105.86	C2	112	7.018	6.973	-	0.08	1.31	1.23	0.00	1.04	SDS	6.02

* Weights shown are approximate.

Pulley Type: F = Flanged

† Prices do not include bushing.

Dimensions shown are for reference purposes only and are subject to change without notice. Where space requirements are critical, consult Bando for certified specifications.



8mm Pitch (HT) for 20mm and 30mm Wide Belts

Part Number	List Price†	Type	Number of Teeth	Nominal Dimensions (in)								Bushing	Weight* (Lbs.)
				Pitch Dia.	Pulley OD	Flange OD	E	L	F	M	W		
20mm (20)													
P24-8M-20	83.74	E1F	24	2.406	2.352	2.756	9/16	1	1-1/8	7/16	7/8	JA	1.0
P26-8M-20	85.32	E1F	26	2.607	2.553	2.953	9/16	1	1-1/8	7/16	7/8	JA	1.2
P28-8M-20	86.90	E1F	28	2.807	2.759	3.150	1/4	1-1/4	1-1/8	3/8	7/8	D	1.6
P30-8M-20	90.06	E1F	30	3.008	2.958	3.346	1/4	1-1/4	1-1/8	3/8	7/8	D	1.9
P32-8M-20	93.22	C1F	32	3.208	3.156	3.543	1/8	1-1/4	1-1/8	0	7/8	D	2.0
P34-8M-20	94.80	D1F	34	3.409	3.355	3.819	3/16	1-1/4	1-1/8	1/16	7/8	SH	2.0
P36-8M-20	97.96	D1F	36	3.609	3.555	4.009	3/16	1-1/4	1-1/8	1/16	7/8	SH	2.2
P38-8M-20	101.12	D1F	38	3.810	3.756	4.210	3/16	1-1/4	1-1/8	1/16	7/8	SH	2.5
P40-8M-20	107.44	D1F	40	4.010	3.956	4.410	3/16	1-1/4	1-1/8	1/16	7/8	SH	2.8
P44-8M-20	124.82	C1F	44	4.411	4.357	4.911	3/16	1-5/16	1-1/8	0	7/8	SDS	3.4
P48-8M-20	145.36	C1F	48	4.812	4.758	5.212	3/16	1-5/16	1-1/8	0	7/8	SDS	4.0
P56-8M-20	161.16	C1F	56	5.614	5.560	6.014	3/16	1-5/16	1-1/8	0	7/8	SDS	5.3
P64-8M-20	197.50	C1F	64	6.416	6.362	6.716	3/16	1-5/16	1-1/8	0	7/8	SDS	6.9
P72-8M-20	202.24	C2F	72	7.218	7.164	7.598	3/16	1-5/16	1-1/8	0	7/8	SDS	6.7
P80-8M-20	218.04	C2F	80	8.020	7.966	8.420	3/16	1-5/16	1-1/8	0	7/8	SDS	7.5
P90-8M-20	224.36	C3	90	9.023	8.969	-	3/16	1-5/16	1-1/8	0	-	SDS	8.0
30mm (30)													
P28-8M-30	93.22	E1F	28	2.807	2.759	3.150	5/8	1-1/4	1-1/2	3/8	1-1/4	D	2.0
P30-8M-30	94.80	E1F	30	3.008	2.958	3.346	5/8	1-1/4	1-1/2	3/8	1-1/4	D	2.3
P32-8M-30	97.96	B1F	32	3.208	3.156	3.543	1/4	1-1/4	1-1/2	0	1-1/4	D	2.2
P34-8M-30	99.54	A1F	34	3.409	3.355	3.819	3/16	1-1/4	1-1/2	1/16	1-1/4	SH	2.2
P36-8M-30	107.44	A1F	36	3.609	3.555	4.009	3/16	1-1/4	1-1/2	1/16	1-1/4	SH	2.5
P38-8M-30	110.60	A1F	38	3.810	3.756	4.210	3/16	1-1/4	1-1/2	1/16	1-1/4	SH	2.8
P40-8M-30	123.24	A1F	40	4.010	3.956	4.410	3/16	1-1/4	1-1/2	1/16	1-1/4	SH	3.3
P44-8M-30	135.88	B1F	44	4.411	4.357	4.911	3/16	1-5/16	1-1/2	0	1-1/4	SDS	3.8
P48-8M-30	146.94	B1F	48	4.812	4.758	5.212	3/16	1-5/16	1-1/2	0	1-1/4	SDS	4.5
P56-8M-30	164.32	B1F	56	5.614	5.560	6.014	3/16	1-5/16	1-1/2	0	1-1/4	SDS	5.9
P64-8M-30	199.08	C1F	64	6.416	6.362	6.716	3/8	1-7/8	1-1/2	0	1-1/4	SK	10.4
P72-8M-30	218.04	C2F	72	7.218	7.164	7.598	3/8	1-7/8	1-1/2	0	1-1/4	SK	10.0
P80-8M-30	224.36	C2F	80	8.020	7.966	8.420	3/8	1-7/8	1-1/2	0	1-1/4	SK	11.8
P90-8M-30	230.68	C2	90	9.023	8.969	-	3/8	1-7/8	1-1/2	0	-	SK	13.5
P112-8M-30	369.72	C3	112	11.229	11.175	-	3/8	1-7/8	1-1/2	0	-	SK	15.3

* Weights shown are approximate.

Pulley Type: F = Flanged

† Prices do not include bushing.

Dimensions shown are for reference purposes only and are subject to change without notice. Where space requirements are critical, consult Bando for certified specifications.



8mm Pitch (HT) for 50mm and 85mm Wide Belts

Part Number	List Price†	Type	Number of Teeth	Nominal Dimensions (in)								Bushing	Weight* (Lbs.)
				Pitch Dia.	Pulley OD	Flange OD	E	L	F	M	W		
50mm (50)													
P32-8M-50	131.14	A1F	32	3.208	3.156	3.543	1/2	1-1/4	2-3/8	5/8	2-1/8	JA	2.5
P32-8M-50	131.14	A1F	32	3.208	3.156	3.543	1/2	1-1/4	2-3/8	5/8	2-1/8	D	2.5
P34-8M-50	132.72	A1F	34	3.409	3.355	3.819	0	1-1/4	2-3/8	1-1/8	2-1/8	SH	2.6
P36-8M-50	134.30	A1F	36	3.609	3.355	4.009	0	1-1/4	2-3/8	1-1/8	2-1/8	SH	3.1
P38-8M-50	135.88	A1F	38	3.810	3.756	4.210	0	1-1/4	2-3/8	1-1/8	2-1/8	SH	3.5
P40-8M-50	139.04	A1F	40	4.010	3.956	4.410	0	1-1/4	2-3/8	1-1/8	2-1/8	SH	4.2
P44-8M-50	148.52	A1F	44	4.411	4.357	4.911	0	1-13/16	2-3/8	9/16	2-1/8	SD	5.7
P48-8M-50	154.84	A1F	48	4.812	4.758	5.212	0	1-13/16	2-3/8	9/16	2-1/8	SD	6.9
P56-8M-50	181.70	D1F	56	5.614	5.560	6.014	1/16	1-7/8	2-3/8	9/16	2-1/8	SK	9.4
P64-8M-50	205.40	D1F	64	6.416	6.362	6.716	1/16	1-7/8	2-3/8	9/16	2-1/8	SK	12.0
P72-8M-50	227.52	D1F	72	7.218	7.164	7.598	1/16	1-7/8	2-3/8	9/16	2-1/8	SK	15.0
P80-8M-50	244.90	D2F	80	8.020	7.966	8.420	1/16	2	2-3/8	7/16	2-1/8	SF	16.1
P90-8M-50	293.88	D2	90	9.023	8.969	-	1/16	2	2-3/8	7/16	-	SF	19.1
P112-8M-50	369.72	D3	112	11.229	11.175	-	1/16	2	2-3/8	7/16	-	SF	22.0
P144-8M-50	589.34	D3	144	14.437	14.383	-	1/2	2-5/8	2-3/8	1/4	-	E	38.1
P192-8M-50	682.56	D3	192	19.249	19.195	-	1/2	2-5/8	2-3/8	1/4	-	E	52.5
85mm (85)													
P34-8M-85	150.42	A1F	34	3.409	3.355	3.819	1	1-1/4	3-3/4	1-1/2	3-1/2	SH	3.3
P36-8M-85	158.00	A1F	36	3.609	3.555	4.009	1	1-1/4	3-3/4	1-1/2	3-1/2	SH	4.1
P38-8M-85	161.16	A1F	38	3.810	3.756	4.210	1	1-1/4	3-3/4	1-1/2	3-1/2	SH	4.6
P40-8M-85	167.50	A1F	40	4.010	3.956	4.410	11/16	1-13/16	3-3/4	1-1/4	3-1/2	SD	5.6
P44-8M-85	173.80	A1F	44	4.411	4.357	4.911	11/16	1-13/16	3-3/4	1-1/4	3-1/2	SD	7.1
P48-8M-85	189.60	A1F	48	4.812	4.758	5.212	11/16	1-13/16	3-3/4	1-1/4	3-1/2	SD	8.7
P56-8M-85	221.20	A1F	56	5.614	5.560	6.014	5/8	1-7/8	3-3/4	1-1/4	3-1/2	SK	11.6
P64-8M-85	257.54	A1F	64	6.416	6.362	6.716	5/8	1-7/8	3-3/4	1-1/4	3-1/2	SK	14.6
P72-8M-85	279.66	A1F	72	7.218	7.164	7.598	5/8	2	3-3/4	1-1/8	3-1/2	SF	18.5
P80-8M-85	306.52	A2F	80	8.020	7.966	8.420	5/8	2	3-3/4	1-1/8	3-1/2	SF	20.4
P90-8M-85	387.10	A2	90	9.023	8.969	-	5/8	2	3-3/4	1-1/8	-	SF	23.7
P112-8M-85	486.64	A3	112	11.229	11.175	-	5/8	2	3-3/4	1-1/8	-	SF	29.6
P144-8M-85	679.40	A3	144	14.437	14.383	-	3/16	2-5/8	3-3/4	1-1/16	-	E	50.6
P192-8M-85	766.30	A3	192	19.249	19.195	-	3/16	2-5/8	3-3/4	1-1/16	-	E	68.5

* Weights shown are approximate.

Pulley Type: F = Flanged

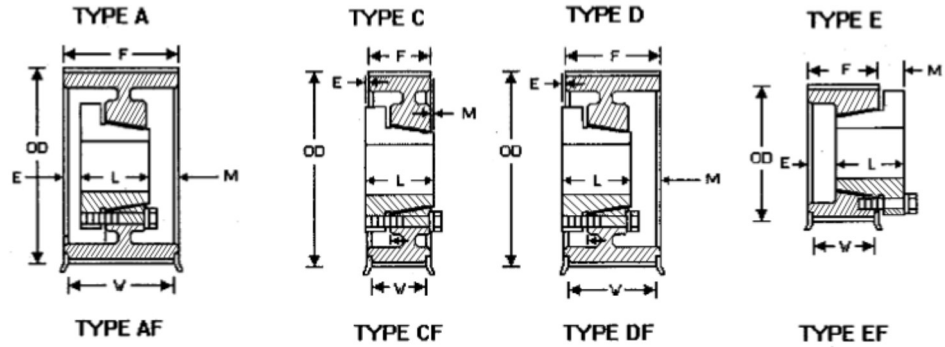
† Prices do not include bushing.

Dimensions shown are for reference purposes only and are subject to change without notice. Where space requirements are critical, consult Bando for certified specifications.

Minimum Recommended Pulley Sizes

Using pulley sizes less than the recommended minimum can substantially reduce belt life and drive efficiency. Values shown are number of pulley teeth.

Speed Range (RPM)	2mm	3mm	5mm	8mm	14mm
0 - 870	14	14	12	22	32
870 - 1160	14	14	14	24	34
1160 - 1750	16	16	16	26	38
1750 - 3500	18	18	18	28	44
3500 - over	20	20	18	30	44



14mm Pitch (HT) for 40mm and 55mm Wide Belts

Part Number	List Price†	Type	Number of Teeth	Nominal Dimensions (in)								Bushing	Weight* (Lbs.)
				Pitch Dia.	Pulley OD	Flange OD	E	L	F	M	W		
40mm (40)													
P28-14M-40	134.30	E1F	28	4.912	4.808	5.402	7/8	1-7/8	2-1/8	5/8	1-13/16	SK	5.2
P29-14M-40	142.20	E1F	29	5.088	4.983	5.402	7/8	1-7/8	2-1/8	5/8	1-13/16	SK	5.7
P30-14M-40	146.94	D1F	30	5.263	5.157	5.763	3/16	1-7/8	2-1/8	7/16	1-13/16	SK	5.6
P32-14M-40	161.16	D1F	32	5.614	5.507	6.114	3/16	1-7/8	2-1/8	7/16	1-13/16	SK	7.2
P34-14M-40	165.90	D1F	34	5.965	5.858	6.465	3/16	1-7/8	2-1/8	7/16	1-13/16	SK	8.6
P36-14M-40	181.70	D1F	36	6.316	6.208	6.816	3/16	2	2-1/8	5/16	1-13/16	SF	9.0
P38-14M-40	205.40	D1F	38	6.667	6.559	7.167	3/16	2	2-1/8	5/16	1-13/16	SF	10.6
P40-14M-40	205.40	D1F	40	7.018	6.909	7.518	3/16	2	2-1/8	5/16	1-13/16	SF	12.1
P44-14M-40	244.90	D1F	44	7.720	7.610	8.395	5/8	2-5/8	2-1/8	1/8	1-13/16	E	14.0
P48-14M-40	260.90	D1F	48	8.412	8.311	8.941	5/8	2-5/8	2-1/8	1/8	1-13/16	E	18.4
P52-14M-40	271.76	D1F	52	9.123	9.013	9.687	5/8	2-5/8	2-1/8	1/8	1-13/16	E	23.6
P56-14M-40	276.50	D1F	56	9.825	9.715	10.355	5/8	2-5/8	2-1/8	1/8	1-13/16	E	27.3
P60-14M-40	358.66	D1F	60	10.527	10.417	11.067	5/8	2-5/8	2-1/8	1/8	1-13/16	E	29.0
P64-14M-40	410.80	D2F	64	11.229	11.119	11.593	5/8	2-5/8	2-1/8	1/8	1-13/16	E	32.6
P68-14M-40	418.70	D2F	68	11.930	11.820	12.500	5/8	2-5/8	2-1/8	1/8	1-13/16	E	36.0
P72-14M-40	429.76	D2F	72	12.632	12.522	13.006	5/8	2-5/8	2-1/8	1/8	1-13/16	E	39.8
P80-14M-40	443.60	D2F	80	14.036	13.926	14.620	5/8	2-5/8	2-1/8	1/8	1-13/16	E	43.5
P90-14M-40	455.04	D3	90	15.790	15.680	-	5/8	2-5/8	2-1/8	1/8	-	E	47.8
P112-14M-40	608.30	D3	112	19.650	19.540	-	5/8	2-5/8	2-1/8	1/8	-	E	52.5
P144-14M-40	758.40	D3	144	25.264	25.154	-	5/8	2-5/8	2-1/8	1/8	-	E	80.0
55mm (55)													
P28-14M-55	158.00	E1F	28	4.912	4.808	5.402	1-1/2	1-7/8	2-3/4	5/8	2-7/16	SK	6.5
P29-14M-55	165.90	E1F	29	5.088	4.983	5.402	1-1/2	1-7/8	2-3/4	5/8	2-7/16	SK	8.0
P30-14M-55	166.64	A1F	30	5.263	5.157	5.763	1/8	1-7/8	2-3/4	3/4	2-7/16	SK	8.3
P32-14M-55	180.12	A1F	32	5.614	5.507	6.114	1/8	1-7/8	2-3/4	3/4	2-7/16	SK	8.5
P34-14M-55	189.60	A1F	34	5.965	5.858	6.465	1/8	1-7/8	2-3/4	3/4	2-7/16	SK	10.3
P36-14M-55	197.50	A1F	36	6.316	6.208	6.816	1/8	2	2-3/4	5/8	2-7/16	SF	10.9
P38-14M-55	221.20	A1F	38	6.667	6.559	7.167	1/8	2	2-3/4	5/8	2-7/16	SF	12.2
P40-14M-55	225.94	A1F	40	7.018	6.909	7.518	1/8	2	2-3/4	5/8	2-7/16	SF	14.9
P44-14M-55	260.70	D1F	44	7.720	7.610	8.395	5/16	2-5/8	2-3/4	7/16	2-7/16	E	16.5
P48-14M-55	268.60	D1F	48	8.412	8.311	8.941	5/16	2-5/8	2-3/4	7/16	2-7/16	E	21.8
P52-14M-55	281.24	D1F	52	9.123	9.013	9.687	5/16	2-5/8	2-3/4	7/16	2-7/16	E	26.5
P56-14M-55	284.40	D1F	56	9.825	9.715	10.355	5/16	2-5/8	2-3/4	7/16	2-7/16	E	31.4
P60-14M-55	379.20	D1F	60	10.527	10.417	11.067	5/16	2-5/8	2-3/4	7/16	2-7/16	E	37.0
P64-14M-55	434.50	C1F	64	11.229	11.119	11.593	7/8	3-5/8	2-3/4	-	2-7/16	F	50.7
P68-14M-55	450.70	D2F	68	11.930	11.820	12.500	7/8	3-5/8	2-3/4	-	2-7/16	F	45.0
P72-14M-55	458.20	C2F	72	12.632	12.522	13.006	7/8	3-5/8	2-3/4	-	2-7/16	F	48.2
P80-14M-55	534.04	C2F	80	14.036	13.926	14.620	7/8	3-5/8	2-3/4	-	2-7/16	F	56.0
P90-14M-55	545.10	C3	90	15.790	15.680	-	7/8	3-5/8	2-3/4	-	-	F	56.5
P112-14M-55	639.90	C3	112	19.650	19.540	-	7/8	3-5/8	2-3/4	-	-	F	72.0
P144-14M-55	821.60	C3	144	25.264	25.154	-	7/8	3-5/8	2-3/4	-	-	F	98.0
P168-14M-55	1058.60	C3	168	29.475	29.365	-	7/8	3-5/8	2-3/4	-	-	F	130.0
P192-14M-55	1327.20	C3	192	33.686	33.576	-	7/8	3-5/8	2-3/4	-	-	F	155.0
P216-14M-55	2142.48	C3	216	37.896	37.786	-	7/8	3-5/8	2-3/4	-	-	F	210.0

* Weights shown are approximate.

Pulley Type: F = Flanged

† Prices do not include bushing.

Dimensions shown are for reference purposes only and are subject to change without notice. Where space requirements are critical, consult Bando for certified specifications.



14mm Pitch (HT) for 85mm, 115mm and 170mm Wide Belts

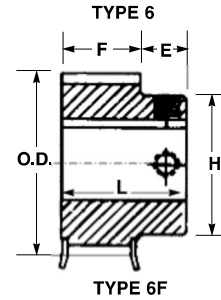
Part Number	List Price†	Type	Number of Teeth	Nominal Dimensions (in)								Bushing	Weight* (Lbs.)
				Pitch Dia.	Pulley OD	Flange OD	E	L	F	M	W		
85mm (85)													
P30-14M-85	208.56	A1F	30	5.263	5.157	5.763	1	4	4	1	3-11/16	SK	9.0
P32-14M-85	218.04	A1F	32	5.614	5.507	6.114	1	4	4	1	3-11/16	SK	10.3
P34-14M-85	237.00	A1F	34	5.965	5.858	6.465	3/4	1-7/8	4	1-3/8	3-11/16	SK	13.8
P36-14M-85	243.32	A1F	36	6.316	6.208	6.816	3/4	1-7/8	4	1-3/8	3-11/16	SF	14.0
P38-14M-85	252.80	A1F	38	6.667	6.559	7.167	3/4	1-7/8	4	1-3/8	3-11/16	SF	16.2
P40-14M-85	265.44	A1F	40	7.018	6.909	7.518	3/4	2	4	1-1/4	3-11/16	SF	18.2
P44-14M-85	284.40	A1F	44	7.720	7.610	8.395	3/4	2	4	1-1/4	3-11/16	E	21.4
P48-14M-85	297.04	A1F	48	8.421	8.311	8.941	3/4	2	4	1-1/4	3-11/16	E	28.0
P52-14M-85	347.60	A1F	52	9.123	9.013	9.687	5/16	2-5/8	4	1-1/16	3-11/16	E	33.0
P56-14M-85	387.10	D1F	56	9.825	9.715	10.355	5/16	2-5/8	4	1-1/16	3-11/16	F	43.8
P60-14M-85	458.20	D1F	60	10.527	10.417	11.067	5/16	2-5/8	4	1-1/16	3-11/16	F	52.0
P64-14M-85	474.00	D1F	64	11.229	11.119	11.593	1/4	3-5/8	4	5/8	3-11/16	F	60.0
P68-14M-85	497.70	D2F	68	11.930	11.820	12.500	1/4	3-5/8	4	5/8	3-11/16	F	53.8
P72-14M-85	505.60	D2F	72	12.632	12.522	13.006	1/4	3-5/8	4	5/8	3-11/16	F	58.0
P80-14M-85	600.40	D2F	80	14.036	13.926	14.620	1/4	3-5/8	4	5/8	3-11/16	F	65.5
P90-14M-85	616.20	D3	90	15.790	15.680	-	1/4	3-5/8	4	5/8	-	F	69.0
P112-14M-85	726.80	D3	112	19.650	19.540	-	1/4	3-5/8	4	5/8	-	F	88.0
P144-14M-85	932.20	D3	144	25.264	25.154	-	1/4	3-5/8	4	5/8	-	F	125.0
P168-14M-85	1232.40	D3	168	29.475	29.365	-	1/4	3-5/8	4	5/8	-	J	153.0
P192-14M-85	1485.20	D3	192	33.686	33.576	-	1/4	3-5/8	4	5/8	-	J	177.0
P216-14M-85	2322.60	D3	216	37.896	37.786	-	1/4	3-5/8	4	5/8	-	J	215.0
115mm (115)													
P30-14M-115	267.02	A1F	30	5.263	5.157	5.763	1-3/8	1-7/8	5-1/4	2	4-15/16	SK	11.0
P32-14M-115	271.76	A1F	32	5.614	5.507	6.114	1-3/8	1-7/8	5-1/4	2	4-15/16	SK	14.5
P34-14M-115	289.14	A1F	34	5.965	5.858	6.465	1-3/8	1-7/8	5-1/4	2	4-15/16	SK	18.3
P36-14M-115	300.20	A1F	36	6.316	6.208	6.816	1-3/8	2	5-1/4	1-7/8	4-15/16	SF	17.0
P38-14M-115	316.00	A1F	38	6.667	6.559	7.167	1-3/8	2	5-1/4	1-7/8	4-15/16	SF	21.0
P40-14M-115	328.64	A1F	40	7.018	6.909	7.518	1-3/8	2	5-1/4	1-7/8	4-15/16	SF	22.4
P44-14M-115	347.60	A1F	44	7.720	7.610	8.395	15/16	2-5/8	5-1/4	1-11/16	4-15/16	E	25.5
P48-14M-115	372.88	A1F	48	8.421	8.311	8.941	15/16	2-5/8	5-1/4	1-11/16	4-15/16	E	33.2
P52-14M-115	434.50	A1F	52	9.123	9.013	9.687	3/8	3-5/8	5-1/4	1-1/4	4-15/16	F	42.0
P56-14M-115	450.30	A1F	56	9.825	9.715	10.355	3/8	3-5/8	5-1/4	1-1/4	4-15/16	F	50.5
P60-14M-115	537.20	A1F	60	10.527	10.417	11.067	3/8	3-5/8	5-1/4	1-1/4	4-15/16	F	58.3
P64-14M-115	594.90	D1F	64	11.229	11.119	11.593	3/16	4-1/2	5-1/4	15/16	4-15/16	J	72.3
P68-14M-115	603.56	D1F	68	11.930	11.820	12.500	3/16	4-1/2	5-1/4	15/16	4-15/16	J	83.2
P72-14M-115	616.20	D1F	72	12.622	12.522	13.006	3/16	4-1/2	5-1/4	15/16	4-15/16	J	85.6
P80-14M-115	711.00	D2F	80	14.036	13.926	14.620	3/16	4-1/2	5-1/4	15/16	4-15/16	J	90.0
P90-14M-115	790.00	D2	90	15.790	15.680	-	3/16	4-1/2	5-1/4	15/16	-	J	94.0
P112-14M-115	979.60	D3	112	19.650	19.540	-	3/16	4-1/2	5-1/4	15/16	-	J	121.0
P144-14M-115	1232.40	D3	144	25.264	25.154	-	3/16	4-1/2	5-1/4	15/16	-	J	168.0
P168-14M-115	1532.60	D3	168	29.475	29.365	-	3/16	4-1/2	5-1/4	15/16	-	M	198.0
P192-14M-115	1769.60	D3	192	33.686	33.576	-	3/16	4-1/2	5-1/4	15/16	-	M	235.0
P216-14M-115	2670.20	D3	216	37.896	37.786	-	3/16	4-1/2	5-1/4	15/16	-	M	340.0
170mm (170)													
P44-14M-170	474.00	A1F	44	7.720	7.610	8.340	2	2-5/8	7-3/8	2-3/4	7-1/16	E	39.2
P48-14M-170	477.16	A1F	48	8.421	8.311	8.900	2	2-5/8	7-3/8	2-3/4	7-1/16	E	49.8
P52-14M-170	505.60	A1F	52	9.123	9.013	9.680	1-7/16	3-5/8	7-3/8	2-5/16	7-1/16	F	64.5
P56-14M-170	521.40	A1F	56	9.825	9.715	10.380	1-7/16	3-5/8	7-3/8	2-5/16	7-1/16	F	73.3
P60-14M-170	679.40	A1F	60	10.527	10.417	11.060	15/16	4-1/2	7-3/8	1-15/16	7-1/16	J	93.1
P64-14M-170	726.80	A1F	64	11.229	11.119	11.680	15/16	4-1/2	7-3/8	1-15/16	7-1/16	J	103.9
P68-14M-170	774.20	A1F	68	11.930	11.820	12.500	15/16	4-1/2	7-3/8	1-15/16	7-1/16	J	115.3
P72-14M-170	821.60	A1F	72	12.632	12.522	13.190	15/16	4-1/2	7-3/8	1-15/16	7-1/16	J	117.2
P80-14M-170	837.40	A2F	80	14.036	13.926	14.630	15/16	4-1/2	7-3/8	1-15/16	7-1/16	J	119.9
P90-14M-170	963.80	A2	90	15.790	15.680	-	15/16	4-1/2	7-3/8	1-15/16	-	J	130.5
P112-14M-170	1343.00	A3	112	19.650	19.540	-	0	6-3/4	7-3/8	5/8	-	M	205.5
P144-14M-170	1659.00	A3	144	25.264	25.154	-	0	6-3/4	7-3/8	5/8	-	M	268.1
P168-14M-170	2148.80	A3	168	29.475	29.365	-	0	6-3/4	7-3/8	5/8	-	M	293.2
P192-14M-170	2306.80	A3	192	33.686	33.576	-	0	6-3/4	7-3/8	5/8	-	M	334.8
P216-14M-170	3286.40	A3	216	37.896	37.786	-	0	6-3/4	7-3/8	5/8	-	M	334.8

* Weights shown are approximate.

Pulley Type: F = Flanged

† Prices do not include bushing.

Dimensions shown are for reference purposes only and are subject to change without notice. Where space requirements are critical, consult Bando for certified specifications.



1/5 Inch Pitch (XL) for 1/4" and 3/8" Wide Belts

F Dimension = 9/16"

Part Number	List Price	Type	Number of Teeth	Nominal Dimensions (in)							Bore		Weight* (Lbs.)
				Pitch Dia.	Pulley OD	Flange OD	E	L	H	MPB	Max.		
P10XL037A	13.30	6F	10	.637	.617	.91	7/32	25/32	7/16	3/16	1/4	.03	
P10XL037	10.28	6F	10	.637	.617	.91	7/32	25/32	7/16	3/16	1/4	.03	
P11XL037A	13.80	6F	11	.700	.680	.93	7/32	25/32	7/16	3/16	1/4	.03	
P11XL037	10.52	6F	11	.700	.680	.93	7/32	25/32	7/16	3/16	1/4	.03	
P12XL037A	14.30	6F	12	.764	.744	.99	7/32	25/32	1/2	3/16	5/16	.06	
P12XL037	11.04	6F	12	.764	.744	.99	7/32	25/32	1/2	3/16	5/16	.06	
P13XL037A	15.04	6F	13	.828	.808	1.06	1/4	13/16	9/16	1/4	3/8	.06	
P14XL037A	15.84	6F	14	.891	.871	1.12	7/32	25/32	9/16	1/4	3/8	.06	
P14XL037	12.58	6F	14	.891	.871	1.12	7/32	25/32	9/16	1/4	3/8	.06	
P15XL037A	16.60	6F	15	.955	.935	1.18	7/32	25/32	5/8	1/4	7/16	.09	
P15XL037	13.10	6F	15	.955	.935	1.18	7/32	25/32	5/8	1/4	7/16	.09	
P16XL037A	17.30	6F	16	1.019	.999	1.25	7/32	25/32	11/16	1/4	1/2	.09	
P16XL037	13.88	6F	16	1.019	.999	1.25	7/32	25/32	11/16	1/4	1/2	.09	
P17XL037A	18.04	6F	17	1.082	1.062	1.31	7/32	25/32	3/4	1/4	1/2	.13	
P18XL037A	18.84	6F	18	1.146	1.126	1.38	7/32	25/32	13/16	1/4	9/16	.13	
P18XL037	15.40	6F	18	1.146	1.126	1.38	7/32	25/32	13/16	1/4	9/16	.13	
P19XL037A	19.34	6F	19	1.210	1.190	1.44	1/4	13/16	7/8	1/4	9/16	.15	
P20XL037A	19.90	6F	20	1.273	1.253	1.50	11/32	29/32	15/16	1/4	11/16	.19	
P20XL037	16.70	6F	20	1.273	1.253	1.50	11/32	29/32	15/16	1/4	11/16	.19	
P21XL037A	20.68	6F	21	1.337	1.317	1.57	11/32	29/32	15/16	1/4	11/16	.19	
P21XL037	17.72	6F	21	1.337	1.317	1.57	11/32	29/32	15/16	1/4	11/16	.19	
P22XL037A	21.46	6F	22	1.401	1.381	1.63	11/32	29/32	1	1/4	3/4	.22	
P22XL037	18.48	6F	22	1.401	1.381	1.63	11/32	29/32	1	1/4	3/4	.22	
P23XL037A	22.24	6F	23	1.464	1.444	1.69	5/16	7/8	1-1/16	1/4	13/16	.25	
P24XL037A	23.16	6F	24	1.528	1.508	1.76	11/32	29/32	1-1/16	1/4	13/16	.25	
P24XL037	20.00	6F	24	1.528	1.508	1.76	11/32	29/32	1-1/16	1/4	13/16	.25	
P25XL037A	23.90	6F	25	1.592	1.572	1.81	11/32	29/32	1-1/16	1/4	13/16	.25	
P26XL037A	24.60	6F	26	1.655	1.635	1.88	11/32	29/32	1-3/16	1/4	15/16	.34	
P28XL037A	25.94	6F	28	1.783	1.763	2.01	11/32	29/32	1-3/16	1/4	15/16	.34	
P30XL037A	27.28	6F	30	1.910	1.890	2.14	11/32	29/32	1-3/8	5/16	1-1/16	.41	
P32XL037A	26.30	6	32	2.037	2.017	-	7/16	1	1-1/2	5/16	1-3/16	.22	
P36XL037A	26.78	6	36	2.292	2.272	-	7/16	1	1-1/2	5/16	1-3/16	.30	
P40XL037A	29.18	6	40	2.546	2.526	-	7/16	1	1-1/2	5/16	1-3/16	.31	
P42XL037A	29.50	6	42	2.674	2.654	-	7/16	1	1-1/2	5/16	1-3/16	.31	
P44XL037A	29.90	6	44	2.801	2.781	-	7/16	1	1-1/2	5/16	1-3/16	.31	
P48XL037A	33.64	6	48	3.056	3.036	-	7/16	1	1-1/2	5/16	1-3/16	.38	
P60XL037A	40.66	6	60	3.820	3.800	-	7/16	1	1-1/2	5/16	1-3/16	.38	
P72XL037A	47.52	6	72	4.584	4.564	-	7/16	1	1-1/2	3/8	1-3/16	.50	

A=Aluminum Construction; all others are steel.

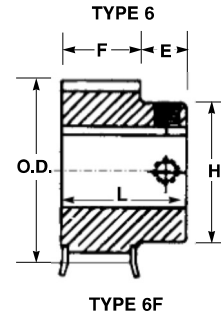
All pulleys have two (2) setscrews at 90°.

* Weights shown are approximate.

Rebore, Keyway and Setscrew Alterations

A *minimum* quantity of 100 identical sizes of MPB Synchro-Link® pulleys are required for *any* alteration, i.e.: reboring, keywaying or additional setscrews. Consult BANDO for price and availability.

Dimensions shown are for reference purposes only and are subject to change without notice. Where space requirements are critical, consult BANDO for certified specifications.



3/8 Inch Pitch (L) for 1/2" and 3/4" Wide Belts

Part Number	List Price	Type	Number of Teeth	Nominal Dimensions (in)								Weight* (Lbs.)
				Pitch Dia.	Pulley OD	Flange OD	E	L	H	Bore		
										MPB	Max.	
1/2" (050) F Dimension = 3/4"												
P10L050	14.60	6F	10	1.194	1.164	1-7/16	3/4	1-1/2	13/16	3/8	1/2	.20
P12L050	16.10	6F	12	1.432	1.402	1-11/16	3/4	1-1/2	1-1/16	3/8	1/2	.40
P13L050.3	20.76	6F	13	1.552	1.522	1-25/32	3/4	1-1/2	1-1/8	3/8	3/4	.50
P13L050.5	20.76	6F	13	1.552	1.522	1-25/32	3/4	1-1/2	1-1/8	1/2	3/4	.50
P14L050	18.80	6F	14	1.671	1.641	1-15/16	3/4	1-1/2	1-1/8	3/8	3/4	.50
P15L050.3	22.92	6F	15	1.790	1.760	2-1/64	3/4	1-1/2	1-5/16	3/8	3/4	.60
P15L050.5	22.92	6F	15	1.790	1.760	2-1/64	3/4	1-1/2	1-5/16	1/2	3/4	.60
P15L050.6	22.92	6F	15	1.790	1.760	2-1/64	3/4	1-1/2	1-5/16	5/8	3/4	.60
P15L050.7	22.92	6F	15	1.790	1.760	2-1/64	3/4	1-1/2	1-5/16	3/4	3/4	.60
P16L050	20.60	6F	16	1.910	1.880	2-3/16	3/4	1-1/2	1-7/16	1/2	1	.80
P17L050	21.80	6F	17	2.029	1.999	2-9/32	3/4	1-1/2	1-1/2	1/2	1-1/8	.90
P18L050	24.54	6F	18	2.149	2.119	2-3/8	3/4	1-1/2	1-9/16	1/2	1-3/16	.90
P19L050	26.60	6F	19	2.268	2.238	2-1/2	3/4	1-1/2	1-5/8	1/2	1-3/16	1.10
P20L050	26.92	6F	20	2.387	2.357	2-5/8	3/4	1-1/2	1-11/16	1/2	1-1/4	1.20
P21L050	27.40	6F	21	2.507	2.477	2-47/64	3/4	1-1/2	1-7/8	1/2	1-5/16	1.30
P22L050	37.40	6F	22	2.626	2.596	2-7/8	3/4	1-1/2	2	1/2	1-1/2	1.10
P24L050	38.90	6F	24	2.865	2.835	3-1/8	3/4	1-1/2	2-1/4	1/2	1-5/8	1.60
P26L050	40.60	6F	26	3.104	3.074	3-3/8	3/4	1-1/2	2-1/4	1/2	1-5/8	2.30
P28L050	42.40	6F	28	3.342	3.312	3-5/8	3/4	1-1/2	2-1/4	1/2	1-5/8	2.50
P30L050	45.90	6F	30	3.581	3.551	3-13/16	3/4	1-1/2	2-1/4	1/2	1-5/8	2.70
P32L050	49.40	6F	32	3.820	3.790	4-1/6	3/4	1-5/8	2-9/16	1/2	1-7/8	3.00
3/4" (075) F Dimension = 1.0"												
P12L075	16.10	6F	12	1.432	1.402	1-1/16	5/8	1-3/8	1-1/16	3/8	1/2	.50
P13L075.3	22.00	6F	13	1.552	1.522	1-25/32	5/8	1-3/8	1-1/8	3/8	3/4	.60
P13L075.5	22.00	6F	13	1.552	1.522	1-25/32	5/8	1-3/8	1-1/8	1/2	3/4	.60
P14L075	21.30	6F	14	1.671	1.641	1-15/16	5/8	1-3/8	1-7/16	3/8	3/4	.60
P15L075.5	25.00	6F	15	1.790	1.760	2-1/32	5/8	1-3/8	1-1/2	1/2	3/4	.75
P15L075.6	25.00	6F	15	1.790	1.760	2-1/32	5/8	1-3/8	1-1/2	5/8	3/4	.75
P15L075.7	25.00	6F	15	1.790	1.760	2-1/32	5/8	1-3/8	1-1/2	3/4	3/4	.75
P16L075	22.80	6F	16	1.910	1.880	2-3/16	5/8	1-3/8	1-7/16	1/2	1	.90
P17L075	24.00	6F	17	2.029	1.999	2-9/32	5/8	1-3/8	1-1/2	1/2	1-1/8	1.00
P18L075	26.80	6F	18	2.149	2.119	2-3/8	5/8	1-3/8	1-9/16	1/2	1-3/16	1.10
P19L075	28.50	6F	19	2.268	2.238	2-1/2	5/8	1-3/8	1-5/8	1/2	1-3/16	1.30
P20L075	29.24	6F	20	2.387	2.357	2-5/8	5/8	1-3/8	1-11/16	1/2	1-1/4	1.10
P21L075	30.00	6F	21	2.507	2.477	2-47/64	5/8	1-3/8	1-7/8	5/8	1-5/16	1.50
P22L075	40.00	6F	22	2.626	2.596	2-7/8	5/8	1-3/8	2	5/8	1-1/2	1.60
P24L075	43.60	6F	24	2.865	2.835	3-1/8	5/8	1-3/8	2-1/4	5/8	1-5/8	1.80
P26L075	47.60	6F	26	3.104	3.074	3-3/8	5/8	1-3/8	2-1/4	5/8	1-5/8	2.10
P28L075	49.92	6F	28	3.342	3.312	3-5/8	5/8	1-3/8	2-1/4	5/8	1-5/8	2.80
P30L075	54.90	6F	30	3.581	3.551	3-13/16	5/8	1-3/8	2-1/4	5/8	1-5/8	3.10
P32L075	59.00	6F	32	3.820	3.790	4-1/16	5/8	1-3/8	2-9/16	5/8	1-7/8	3.40

* Weights shown are approximate.

Dimensions shown are for reference purposes only and are subject to change without notice. Where space requirements are critical, consult BANDO for certified specifications.



3/8 Inch Pitch (L) for 1" Wide Belts

Part Number	List Price	Type	Number of Teeth	Nominal Dimensions (in)							Bore		Weight* (Lbs.)
				Pitch Dia.	Pulley OD	Flange OD	E	L	H	MPB	Max.		
1.0" (100) F Dimension = 1-1/4"													
P13L100.3	23.40	6F	13	1.552	1.522	1-25/32	11/16	1-11/16	1-1/8	3/8	3/4	.70	
P13L100.5	23.40	6F	13	1.552	1.522	1-25/32	11/16	1-11/16	1-1/8	1/2	3/4	.70	
P14L100	23.30	6F	14	1.671	1.641	1-15/16	11/16	1-11/16	1-7/16	3/8	3/4	.80	
P15L100.5	27.50	6F	15	1.790	1.760	2-1/32	11/16	1-11/16	1-1/2	1/2	3/4	.85	
P15L100.6	27.50	6F	15	1.790	1.760	2-1/32	11/16	1-11/16	1-1/2	5/8	3/4	.85	
P15L100.7	27.50	6F	15	1.790	1.760	2-1/32	11/16	1-11/16	1-1/2	3/4	3/4	.85	
P16L100	25.00	6F	16	1.910	1.880	2-3/16	11/16	1-11/16	1-7/16	1/2	1	1.10	
P17L100	26.30	6F	17	2.029	1.999	2-9/32	11/16	1-11/16	1-1/2	1/2	1-1/8	1.20	
P18L100	29.30	6F	18	2.149	2.119	2-3/8	11/16	1-11/16	1-9/16	1/2	1-3/16	1.20	
P19L100	31.10	6F	19	2.268	2.238	2-1/2	11/16	1-11/16	1-5/8	1/2	1-3/16	1.60	
P20L100	31.20	6F	20	2.387	2.357	2-5/8	11/16	1-11/16	1-11/16	1/2	1-1/4	1.80	
P21L100	31.90	6F	21	2.507	2.477	2-47/64	11/16	1-11/16	1-7/8	5/8	1-5/16	1.80	
P22L100	42.40	6F	22	2.626	2.596	2-7/8	11/16	1-11/16	2	5/8	1-1/2	2.00	
P24L100	45.90	6F	24	2.865	2.835	3-1/8	11/16	1-11/16	2-1/4	5/8	1-5/8	2.50	
P26L100	49.40	6F	26	3.104	3.074	3-3/8	11/16	1-11/16	2-9/16	5/8	1-7/8	3.30	
P28L100	51.20	6F	28	3.342	3.312	3-5/8	11/16	1-11/16	2-13/16	5/8	2	3.60	
P30L100	56.40	6F	30	3.581	3.551	3-13/16	11/16	1-11/16	2-15/16	5/8	2-1/8	4.00	
P32L100	61.80	6F	32	3.820	3.790	4-1/16	11/16	1-11/16	3-1/8	5/8	2-7/8	4.40	

* Weights shown are approximate.

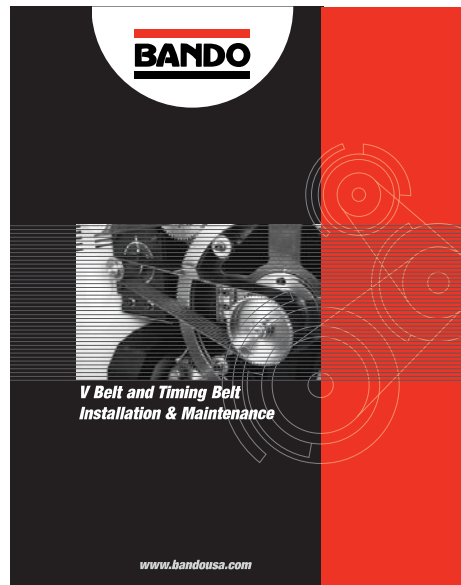
Dimensions shown are for reference purposes only and are subject to change without notice. Where space requirements are critical, consult BANDO for certified specifications.

Preventative Maintenance

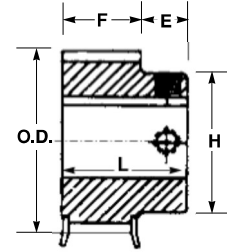
Properly designed drives – V-belt or synchronous – are virtually maintenance free providing some simple rules for proper installation and maintenance are adhered to.

The pay-off in “preventative maintenance” as opposed to “corrective maintenance” is maximum belt and sheave or pulley life, increased “up-time” and efficient, uninterrupted equipment and process service.

Refer to the Installation and Tensioning Information on pages 132 and 133 of this Catalog or, for a more comprehensive guide to proper drive installation and maintenance, request BANDO publication BU-106 (shown) or consult your BANDO sales representative to schedule a Preventive Maintenance seminar. Publication BU-106 is also available online at www.BANDOUSA.com.



Synchro-Link® MPB Timing Belt Pulleys



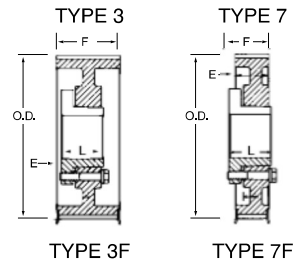
TYPE 6F

1/2 Inch Pitch (H) for 1", 1-1/2", 2" and 3" Wide Belts

Part Number	List Price	Type	Number of Teeth	Nominal Dimensions (in)							Bore		Weight* (Lbs.)
				Pitch Dia.	Pulley OD	Flange OD	E	L	H	MPB	Max.		
1" (100) F Dimension = 1-3/16"													
P14H100	38.60	6F	14	2.228	2.174	2-15/32	3/4	1-3/4	1-1/2	5/8	1	1.4	
P16H100	43.70	6F	16	2.546	2.492	2-25/32	3/4	1-3/4	2	5/8	1-1/4	2.0	
P18H100	46.00	6F	18	2.865	2.811	3-1/8	3/4	1-3/4	2-1/4	5/8	1-1/2	2.8	
P19H100	48.40	6F	19	3.024	2.970	3-1/4	3/4	1-3/4	2-3/8	5/8	1-9/16	3.0	
P20H100	54.40	6F	20	3.183	3.129	3-27/64	3/4	1-3/4	2-1/2	5/8	1-5/8	3.4	
P21H100	54.70	6F	21	3.342	3.288	3-37/64	3/4	1-3/4	2-5/8	3/4	1-11/16	3.8	
P22H100	58.40	6F	22	3.501	3.447	3-3/4	3/4	1-3/4	2-7/8	3/4	1-7/8	4.3	
P24H100	70.70	6F	24	3.820	3.766	4-1/16	3/4	1-3/4	3-1/8	3/4	2-1/8	5.3	
P26H100	74.00	6F	26	4.138	4.084	4-3/8	3/4	1-3/4	3-1/2	3/4	2-1/2	6.7	
P28H100	77.60	6F	28	4.456	4.402	4-11/16	3/4	1-3/4	3-5/8	3/4	2-5/8	8.0	
1-1/2" (150) F Dimension = 1-13/16"													
P14H150	47.80	6F	14	2.228	2.174	2-15/32	3/4	1-9/16	1-1/2	3/8	1	1.8	
P16H150	54.40	6F	16	2.546	2.492	2-25/32	3/4	1-9/16	2	3/4	1-1/4	2.5	
P18H150	58.40	6F	18	2.865	2.811	3-1/8	3/4	1-9/16	2-1/4	3/4	1-1/2	3.3	
P19H150	60.00	6F	19	3.024	2.970	3-1/4	3/4	1-9/16	2-3/8	3/4	1-9/16	3.7	
P20H150	65.40	6F	20	3.183	3.129	3-27/64	3/4	1-9/16	2-1/2	3/4	1-5/8	4.3	
P21H150	66.40	6F	21	3.342	3.288	3-37/64	3/4	1-9/16	2-5/8	3/4	1-11/16	4.8	
P22H150	74.20	6F	22	3.501	3.447	3-3/4	3/4	1-9/16	2-7/8	3/4	1-7/8	5.4	
P24H150	79.50	6F	24	3.820	3.766	4-1/16	3/4	1-9/16	3-1/8	3/4	2-1/8	6.5	
P26H150	86.50	6F	26	4.138	4.084	4-3/8	3/4	1-9/16	3-1/2	3/4	2-1/2	8.4	
P28H150	88.30	6F	28	4.456	4.402	4-11/16	3/4	1-9/16	3-5/8	3/4	2-5/8	9.3	
2" (200) F Dimension = 2-11/32"													
P14H200	58.40	6F	14	2.228	2.174	2-15/32	3/4	3-3/32	1-1/2	3/4	1	2.2	
P16H200	65.32	6F	16	2.546	2.492	2-25/32	3/4	3-3/32	2	3/4	1-1/4	3.1	
P18H200	70.80	6F	18	2.865	2.811	3-1/8	3/4	3-3/32	2-1/4	3/4	1-1/2	3.9	
P19H200	73.40	6F	19	3.024	2.970	3-1/4	3/4	3-3/32	2-3/8	3/4	1-9/16	4.6	
P20H200	76.00	6F	20	3.183	3.129	3-27/64	3/4	3-3/32	2-1/2	3/4	1-5/8	4.9	
P21H200	78.60	6F	21	3.342	3.288	3-37/64	3/4	3-3/32	2-5/8	1	1-11/16	5.6	
P22H200	81.20	6F	22	3.501	3.447	3-3/4	3/4	3-3/32	2-7/8	1	1-7/8	6.3	
P24H200	88.40	6F	24	3.820	3.766	4-1/16	3/4	3-3/32	3-1/8	1	2-1/8	7.5	
P26H200	95.30	6F	26	4.138	4.084	4-3/8	3/4	3-3/32	3-1/2	1	2-1/2	9.5	
P28H200	108.20	6F	28	4.456	4.402	4-11/16	3/4	3-3/32	3-5/8	1	2-5/8	11.0	
3" (300) F Dimension = 3-3/8"													
P16H300	85.50	6F	16	2.546	2.492	2-25/32	3/4	4-1/8	2	3/4	1-1/4	4.1	
P18H300	89.20	6F	18	2.865	2.811	3-1/8	3/4	4-1/8	2-1/4	3/4	1-3/8	5.4	
P19H300	98.60	6F	19	3.024	2.970	3-1/4	3/4	4-1/8	2-3/8	3/4	1-9/16	6.2	
P20H300	100.50	6F	20	3.183	3.129	3-27/64	3/4	4-1/8	2-1/2	3/4	1-7/8	7.0	
P21H300	106.10	6F	21	3.342	3.288	3-37/64	3/4	4-1/8	2-5/8	1	1-11/16	7.5	
P22H300	107.00	6F	22	3.501	3.447	3-3/4	3/4	4-1/8	2-7/8	1-1/8	1-7/8	8.7	
P24H300	107.70	6F	24	3.820	3.766	4-1/16	3/4	4-1/8	3-1/8	1-1/8	2-1/8	10.0	
P26H300	116.50	6F	26	4.138	4.084	4-3/8	3/4	4-1/8	3-1/2	1-1/8	2-1/2	12.3	
P28H300	127.00	6F	28	4.456	4.402	4-11/16	3/4	4-1/8	3-5/8	1-1/8	2-5/8	15.0	

* Weights shown are approximate.

Dimensions shown are for reference purposes only and are subject to change without notice. Where space requirements are critical, consult BANDO for certified specifications.



3/8 Inch Pitch (L) for Belts 1/2", 3/4" and 1" Wide Belts

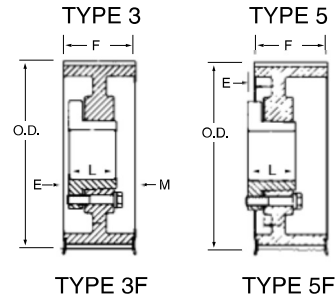
Part Number	List Price†	Type	Number of Teeth	Nominal Dimensions (in)						Bushing	Weight* (Lbs.)
				Pitch Dia.	Pulley OD	Flange OD	E	L	F		
1/2" (050)											
P18L050	28.88	3F	18	2.149	2.119	2.38	—	1	3/4	JA	.7
P20L050	29.64	3F	20	2.387	2.357	2.62	—	1	3/4	JA	.9
P22L050	29.86	3F	22	2.626	2.596	2.88	—	1	3/4	JA	1.1
P24L050	30.18	3F	24	2.865	2.835	3.12	—	1-5/16	3/4	SH	1.4
P26L050	30.40	3F	26	3.104	3.074	3.38	—	1-5/16	3/4	SH	1.6
P28L050	33.08	3F	28	3.342	3.312	3.62	—	1-5/16	3/4	SH	1.9
P30L050	35.24	3F	30	3.581	3.551	3.81	—	1-5/16	3/4	SDS	2.2
P32L050	36.48	3F	32	3.820	3.790	4.06	—	1-5/16	3/4	SDS	2.5
P36L050	63.40	3F	36	4.297	4.267	4.53	—	1-5/16	3/4	SDS	3.0
P40L050	68.88	3F	40	4.775	4.745	5.00	—	1-5/16	3/4	SDS	3.6
P44L050	72.00	3F	44	5.252	5.222	5.48	—	1-5/16	3/4	SDS	4.3
P48L050	80.56	3F	48	5.730	5.700	6.00	—	1-5/16	3/4	SDS	5.1
P60L050	82.84	7	60	7.162	7.132	—	1/4	1-13/16	3/4	SD	5.9
P72L050	84.76	7	72	8.594	8.564	—	1/4	1-13/16	3/4	SD	7.1
P84L050	128.20	7	84	10.027	9.997	—	1/4	1-13/16	3/4	SD	9.0
P96L050	135.68	7	96	11.459	11.429	—	1/4	1-13/16	3/4	SD	10.7
P120L050	148.46	7	120	14.324	14.294	—	1/4	1-13/16	3/4	SD	13.6
3/4" (075)											
P18L075	30.40	3F	18	2.149	2.119	2.38	—	1	1	JA	.8
P20L075	31.56	3F	20	2.387	2.357	2.62	—	1	1	JA	1.1
P22L075	33.40	3F	22	2.626	2.596	2.88	—	1	1	JA	1.2
P24L075	34.10	3F	24	2.865	2.835	3.12	—	1-5/16	1	SH	1.6
P26L075	34.60	3F	26	3.104	3.074	3.38	—	1-5/16	1	SH	1.8
P28L075	37.64	3F	28	3.342	3.312	3.62	—	1-5/16	1	SH	2.1
P30L075	39.52	3F	30	3.581	3.551	3.81	—	1-5/16	1	SDS	2.5
P32L075	42.20	3F	32	3.820	3.790	4.06	—	1-5/16	1	SDS	2.8
P36L075	67.88	3F	36	4.297	4.267	4.53	1/4	1-5/16	1	SDS	3.3
P40L075	68.04	3F	40	4.775	4.745	5.00	1/4	1-5/16	1	SDS	4.0
P44L075	77.32	3F	44	5.252	5.222	5.48	1/4	1-5/16	1	SDS	4.8
P48L075	82.48	3F	48	5.730	5.700	6.00	1/4	1-5/16	1	SDS	5.6
P60L075	85.12	3	60	7.162	7.132	—	—	1-13/16	1	SD	6.6
P72L075	88.16	7	72	8.594	8.564	—	1/8	1-13/16	1	SD	7.8
P84L075	91.96	7	84	10.027	9.997	—	1/8	1-13/16	1	SD	9.8
P96L075	129.86	7	96	11.459	11.429	—	1/8	1-13/16	1	SD	11.7
P120L075	151.68	7	120	14.324	14.294	—	1/8	1-13/16	1	SD	14.8
1" (100)											
P18L100	33.08	3F	18	2.149	2.119	2.38	—	1	1-1/4	JA	1.0
P20L100	34.60	3F	20	2.387	2.357	2.62	—	1	1-1/4	JA	1.3
P22L100	34.96	3F	22	2.626	2.596	2.88	—	1	1-1/4	JA	1.3
P24L100	36.10	3F	24	2.865	2.835	3.12	—	1-5/16	1-1/4	SH	1.8
P26L100	37.64	3F	26	3.104	3.074	3.38	—	1-5/16	1-1/4	SH	2.0
P28L100	39.52	3F	28	3.342	3.312	3.62	—	1-5/16	1-1/4	SH	2.4
P30L100	42.96	3F	30	3.581	3.551	3.81	—	1-5/16	1-1/4	SDS	2.7
P32L100	46.36	3F	32	3.820	3.790	4.06	—	1-5/16	1-1/4	SDS	3.0
P36L100	71.64	3F	36	4.297	4.267	4.53	1/4	1-5/16	1-1/4	SDS	3.6
P40L100	74.40	3F	40	4.775	4.745	5.00	—	1-5/16	1-1/4	SDS	4.4
P44L100	81.56	3F	44	5.252	5.222	5.48	1/2	1-5/16	1-1/4	SDS	5.2
P48L100	85.88	3F	48	5.730	5.700	6.00	1/2	1-5/16	1-1/4	SDS	6.1
P60L100	88.56	3	60	7.162	7.132	—	—	1-13/16	1-1/4	SD	7.1
P72L100	91.96	7	72	8.594	8.564	—	—	1-13/16	1-1/4	SD	8.6
P84L100	135.16	7	84	10.027	9.997	—	—	1-13/16	1-1/4	SD	10.7
P96L100	145.28	7	96	11.459	11.429	—	—	1-13/16	1-1/4	SD	12.7
P120L100	159.72	7	120	14.324	14.294	—	—	1-13/16	1-1/4	SD	16.1

* Weights shown are approximate.

Pulley Type: F = Flanged

† Prices do not include bushing.

Dimensions shown are for reference purposes only and are subject to change without notice. Where space requirements are critical, consult BANDO for certified specifications.



1/2 Inch Pitch (H) for 1" and 1-1/2" Wide Belts

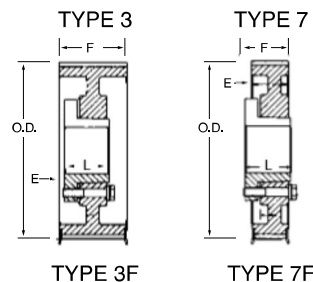
Part Number	List Price†	Type	Number of Teeth	Nominal Dimensions (in)						Bushing	Weight* (Lbs.)
				Pitch Dia.	Pulley OD	Flange OD	E	L	F		
1.0" (100)											
P14H100	30.40	3F	14	2.228	2.174	2.44	—	1	1-5/16	JA	1.1
P16H100	34.96	3F	16	2.546	2.492	2.75	—	1	1-5/16	JA	1.2
P18H100	37.08	3F	18	2.865	2.811	3.12	—	1-5/16	1-5/16	SH	1.8
P20H100	41.04	3F	20	3.183	3.129	3.38	—	1-5/16	1-5/16	SH	2.2
P22H100	45.60	3F	22	3.501	3.447	3.75	—	1-5/16	1-5/16	SDS	2.6
P24H100	50.56	3F	24	3.820	3.766	4.06	—	1-5/16	1-5/16	SDS	3.0
P26H100	57.76	3F	26	4.138	4.084	4.38	—	1-5/16	1-5/16	SDS	3.4
P28H100	61.56	3F	28	4.456	4.402	4.69	—	1-5/16	1-5/16	SDS	4.0
P30H100	66.52	3F	30	4.775	4.721	5.00	—	1-13/16	1-5/16	SD	5.7
P32H100	71.44	3F	32	5.093	5.039	5.31	—	1-15/16	1-5/16	SK	6.6
P36H100	83.40	3F	36	5.730	5.676	5.95	—	1-15/16	1-5/16	SK	8.4
P40H100	93.48	3F	40	6.366	6.312	6.56	—	1-15/16	1-5/16	SK	10.4
P44H100	109.92	3F	44	7.003	6.949	7.25	—	1-15/16	1-5/16	SK	12.6
P48H100	114.00	3F	48	7.639	7.585	7.88	—	1-15/16	1-5/16	SK	11.1
P60H100	117.04	5	60	9.549	9.495	—	—	2-1/16	1-5/16	SF	15.0
P72H100	145.52	5	72	11.459	11.405	—	—	2-1/16	1-5/16	SF	20.8
P84H100	236.08	5	84	13.369	13.315	—	—	2-1/16	1-5/16	SF	23.6
P96H100	267.04	5	96	15.279	15.225	—	—	2-1/16	1-5/16	SF	26.4
P120H100	338.60	5	120	19.099	19.045	—	—	2-1/16	1-5/16	SF	34.4
P156H100	445.46	5	156	24.828	24.774	—	—	2-1/16	1-5/16	SF	48.8
1-1/2" (150)											
P14H150	40.28	3F	14	2.228	2.174	2.44	—	1	1-13/16	JA	1.3
P16H150	44.08	3F	16	2.546	2.492	2.75	—	1	1-13/16	JA	1.4
P18H150	45.60	3F	18	2.865	2.811	3.12	—	1-5/16	1-13/16	SH	2.2
P20H150	50.92	3F	20	3.183	3.129	3.38	—	1-5/16	1-13/16	SH	2.6
P22H150	57.00	3F	22	3.501	3.447	3.75	—	1-13/16	1-13/16	SD	3.5
P24H150	61.56	3F	24	3.820	3.766	4.06	—	1-13/16	1-13/16	SD	4.2
P26H150	68.40	5F	26	4.138	4.084	4.38	—	1-13/16	1-13/16	SD	4.7
P28H150	72.20	5F	28	4.456	4.402	4.69	9/16	1-13/16	1-13/16	SD	5.6
P30H150	77.52	5F	30	4.775	4.721	5.00	9/16	1-13/16	1-13/16	SD	6.4
P32H150	83.60	5F	32	5.093	5.039	5.31	9/16	1-15/16	1-13/16	SK	7.2
P36H150	96.00	5F	36	5.730	5.676	5.95	9/16	1-15/16	1-13/16	SK	9.2
P40H150	104.12	5F	40	6.366	6.312	6.56	9/16	1-15/16	1-13/16	SK	11.1
P44H150	122.68	5F	44	7.003	6.949	7.25	9/16	1-15/16	1-13/16	SK	13.6
P48H150	126.92	5F	48	7.639	7.585	7.88	9/16	1-15/16	1-13/16	SK	14.5
P60H150	143.64	5	60	9.549	9.495	—	9/32	2-1/16	1-13/16	SF	16.7
P72H150	158.84	5	72	11.459	11.405	—	9/32	2-1/16	1-13/16	SF	22.9
P84H150	251.04	5	84	13.369	13.315	—	1/2	2-1/16	1-13/16	SF	25.9
P96H150	302.30	5	96	15.279	15.225	—	1/2	2-1/16	1-13/16	SF	29.4
P120H150	381.34	5	120	19.099	19.045	—	1/2	2-1/16	1-13/16	SF	38.5
P156H150	498.86	5	156	24.828	24.774	—	5/16	2-1/16	1-13/16	SF	54.7

* Weights shown are approximate.

Pulley Type: F = Flanged

† Prices do not include bushing.

Dimensions shown are for reference purposes only and are subject to change without notice. Where space requirements are critical, consult Bando for certified specifications.



1/2 Inch Pitch (H) for 2" and 3" Wide Belts

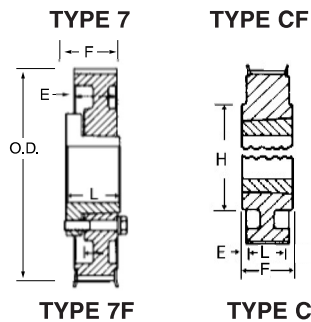
Part Number	List Price†	Type	Number of Teeth	Nominal Dimensions (in)						Bushing	Weight* (Lbs.)	
				Pitch Dia.	Pulley OD	Flange OD	E	L	F			
2" (200)												
P14H200	50.16	3F	14	2.228	2.174	2.44	—	1	2-11/32	JA	1.7	
P16H200	55.88	3F	16	2.546	2.492	2.75	—	1	2-11/32	JA	1.7	
P18H200	58.52	3F	18	2.865	2.811	3.12	—	1-5/16	2-11/32	SH	2.6	
P20H200	64.60	3F	20	3.183	3.129	3.38	—	1-5/16	2-11/32	SH	3.4	
P22H200	66.88	3F	22	3.501	3.447	3.75	—	1-5/16	2-11/32	SD	4.1	
P24H200	71.44	3F	24	3.820	3.766	4.06	—	1-5/16	2-11/32	SD	4.7	
P26H200	77.52	3F	26	4.138	4.084	4.38	15/16	1-5/16	2-11/32	SD	5.2	
P28H200	82.84	3F	28	4.456	4.402	4.69	15/16	1-5/16	2-11/32	SD	6.2	
P30H200	88.92	3F	30	4.775	4.721	5.00	15/16	1-5/16	2-11/32	SD	7.1	
P32H200	93.48	3F	32	5.093	5.039	5.31	15/16	1-15/16	2-11/32	SK	8.1	
P36H200	121.08	3F	36	5.730	5.676	5.95	15/16	1-15/16	2-11/32	SK	10.3	
P40H200	134.92	3F	40	6.366	6.312	6.56	15/16	1-15/16	2-11/32	SK	12.2	
P44H200	146.68	3F	44	7.003	6.949	7.25	15/16	1-15/16	2-11/32	SK	15.0	
P48H200	148.70	3F	48	7.639	7.585	7.88	35/64	2-1/16	2-11/32	SF	18.1	
P60H200	157.32	7	60	9.549	9.495	—	35/64	2-1/16	2-11/32	SF	19.8	
P72H200	249.94	7	72	11.459	11.405	—	35/64	2-1/16	2-11/32	SF	24.8	
P84H200	293.74	7	84	13.369	13.315	—	1/8	2-1/16	2-11/32	SF	29.7	
P96H200	352.48	7	96	15.279	15.225	—	3/8	2-3/4	2-11/32	E	42.3	
P120H200	474.30	7	120	19.099	19.045	—	3/8	2-3/4	2-11/32	E	53.8	
P156H200	616.36	7	156	24.828	24.774	—	1/4	2-3/4	2-11/32	E	74.5	
3" (300)												
P22H300	99.56	3F	22	3.501	3.447	3.75	—	1-1/4	3-3/8	SD	5.1	
P24H300	106.40	3F	24	3.820	3.766	4.06	—	1-1/4	3-3/8	SD	5.8	
P26H300	112.48	3F	26	4.138	4.084	4.38	1/16	1-1/4	3-3/8	SD	6.2	
P28H300	118.56	3F	28	4.456	4.402	4.69	1/16	1-1/4	3-3/8	SD	7.5	
P30H300	125.40	3F	30	4.775	4.721	5.00	7/16	1-1/4	3-3/8	SD	8.7	
P32H300	125.40	3F	32	5.093	5.039	5.31	3/8	1-7/8	3-3/8	SK	9.6	
P36H300	145.56	3F	36	5.730	5.676	5.95	3/8	1-7/8	3-3/8	SK	12.4	
P40H300	140.60	3F	40	6.366	6.312	6.56	3/8	1-7/8	3-3/8	SK	14.3	
P44H300	162.68	3F	44	7.003	6.949	7.25	3/8	1-7/8	3-3/8	SK	17.6	
P48H300	164.92	3F	48	7.639	7.585	7.88	3/8	2	3-3/8	SF	21.1	
P60H300	189.24	3	60	9.549	9.495	—	3/8	2	3-3/8	SF	24.2	
P72H300	298.00	3	72	11.459	11.405	—	3/8	2	3-3/8	SF	28.5	
P84H300	351.46	3	84	13.369	13.315	—	3/8	2	3-3/8	SF	34.9	
P96H300	437.98	3	96	15.279	15.225	—	1/8	2-5/8	3-3/8	E	48.6	
P120H300	571.48	3	120	19.099	19.045	—	1/8	2-5/8	3-3/8	E	62.2	
P156H300	705.04	3	156	24.828	24.774	—	1/8	2-5/8	3-3/8	E	86.3	

* Weights shown are approximate.

Pulley Type: F = Flanged

† Prices do not include bushing.

Dimensions shown are for reference purposes only and are subject to change without notice. Where space requirements are critical, consult Bando for certified specifications.



3/8 Inch Pitch (L) for 1/2", 3/4" and 1" Wide Belts

Part Number	List Price†	Type	Number of Teeth	Nominal Dimensions (in)							Bushing	Weight* (Lbs.)
				Pitch Dia.	Pulley OD	Flange OD	E	L	H	F		
1/2" (050)												
TL18L050	22.60	CF	18	2.149	2.119	2-3/8	1/8	7/8	1-1/16	3/4	TL1008	.45
TL20L050	25.20	CF	20	2.387	2.357	2-5/8	1/8	7/8	1-3/4	3/4	TL1008	.68
TL22L050	29.00	CF	22	2.626	2.596	2-7/8	1/8	7/8	2-1/16	3/4	TL1008	.90
TL24L050	30.40	CF	24	2.865	2.835	3-1/8	1/4	1	2-1/4	3/4	TL1210	.81
TL26L050	32.00	CF	26	3.104	3.074	3-3/8	1/4	1	2-5/8	3/4	TL1210	1.20
TL28L050	32.60	CF	28	3.342	3.312	3-5/8	1/4	1	2-3/4	3/4	TL1210	1.40
TL30L050	34.40	CF	30	3.581	3.551	3-13/16	1/4	1	2-7/8	3/4	TL1610	1.50
TL32L050	37.00	CF	32	3.820	3.790	4-1/16	7/16	1	3-1/16	3/4	TL1610	1.75
TL40L050	56.00	CF	40	4.775	4.745	5	7/16	1-1/4	3-5/16	3/4	TL2012	2.40
TL48L050	69.00	CF	48	5.730	5.700	6	7/16	1-1/4	3-5/16	3/4	TL2012	4.63
TL60L050	74.00	7	60	7.162	7.132	-	1/4	1-1/4	4-3/8	3/4	TL2012	4.90
3/4" (075)												
TL18L075	26.20	CF	18	2.149	2.119	2-3/8	1/8	7/8	-	1	TL1008	.50
TL20L075	28.00	CF	20	2.387	2.357	2-5/8	1/8	7/8	-	1	TL1008	.81
TL22L075	31.00	CF	22	2.626	2.596	2-7/8	1/8	7/8	-	1	TL1008	1.13
TL24L075	32.60	CF	24	2.865	2.835	3-1/8	-	1	-	1	TL1210	1.00
TL26L075	36.00	CF	26	3.104	3.074	3-3/8	-	1	-	1	TL1210	1.20
TL28L075	38.00	CF	28	3.342	3.312	3-5/8	-	1	-	1	TL1610	1.20
TL30L075	41.00	CF	30	3.581	3.551	3-13/16	-	1	-	1	TL1610	1.50
TL32L075	44.00	CF	32	3.820	3.790	4-1/16	-	1	-	1	TL1610	1.90
TL40L075	58.00	CF	40	4.775	4.745	5	3/16	1-1/4	3-1/2	1	TL2012	3.63
TL48L075	70.00	CF	48	5.730	5.700	6	3/16	1-1/4	3-15/16	1	TL2012	5.50
TL60L075	77.00	CF	60	7.162	7.132	-	1/8	1-1/4	4-3/8	1	TL2012	6.81
1" (100)												
TL18L100	28.00	CF	18	2.149	2.119	2-3/8	-	7/8	-	1-1/4	TL1008	.70
TL20L100	30.00	CF	20	2.387	2.357	2-5/8	-	7/8	-	1-1/4	TL1008	1.00
TL22L100	31.60	CF	22	2.626	2.596	2-7/8	-	7/8	-	1-1/4	TL1008	1.30
TL24L100	33.20	CF	24	2.865	2.835	3-1/8	-	1	-	1-1/4	TL1210	1.30
TL26L100	38.00	CF	26	3.104	3.074	3-3/8	-	1	-	1-1/4	TL1210	1.70
TL28L100	42.00	CF	28	3.342	3.312	3-5/8	-	1	-	1-1/4	TL1610	1.70
TL30L100	45.00	CF	30	3.581	3.551	3-13/16	-	1	-	1-1/4	TL1610	2.20
TL32L100	49.00	CF	32	3.820	3.790	4-1/16	-	1	-	1-1/4	TL1610	2.70
TL40L100	58.00	CF	40	4.775	4.745	5	-	1-1/4	-	1-1/4	TL2012	4.13
TL48L100	74.00	CF	48	5.730	5.700	6	-	1-1/4	-	1-1/4	TL2012	6.31
TL60L100	80.00	C	60	7.162	7.132	-	-	1-1/4	-	1-1/4	TL2012	6.00

* Weights shown are approximate.

Pulley Type: F = Flanged

† Prices do not include bushing.

Dimensions shown are for reference purposes only and are subject to change without notice. Where space requirements are critical, consult Bando for certified specifications.

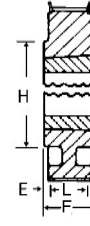


TYPE AF



TYPE A

TYPE CF



TYPE C

1/2 Inch Pitch (H) for 1", 1-1/2", 2" and 3" Wide Belts

Part Number	List Price†	Type	Number of Teeth	Nominal Dimensions (in)							Bushing	Weight* (Lbs.)
				Pitch Dia.	Pulley OD	Flange OD	E	L	H	F		
1" (100)												
TL14H100	28.00	CF	14	2.228	2.174	2-15/32	7/16	7/8	-	1-5/16	TL1008	.8
TL16H100	33.20	CF	16	2.546	2.492	2-25/32	7/16	7/8	-	1-5/16	TL1008	1.3
TL18H100	34.40	CF	18	2.865	2.811	3-1/8	5/16	1	-	1-5/16	TL1210	1.2
TL20H100	36.00	CF	20	3.183	3.129	3-27/64	5/16	1	-	1-5/16	TL1210	1.7
TL22H100	39.00	CF	22	3.501	3.447	3-3/4	5/16	1	-	1-5/16	TL1610	2.0
TL24H100	40.40	CF	24	3.820	3.766	4-1/16	1/16	1	-	1-5/16	TL1610	1.8
TL26H100	45.00	CF	26	4.138	4.084	4-3/8	1/16	1-1/4	-	1-5/16	TL2012	2.7
TL28H100	58.00	CF	28	4.456	4.402	4-11/16	1/16	1-1/4	-	1-5/16	TL2012	3.4
TL30H100	60.00	CF	30	4.775	4.721	5	1/16	1-1/4	-	1-5/16	TL2012	3.9
TL32H100	66.00	CF	32	5.093	5.039	5-21/64	7/16	1-3/4	4	1-5/16	TL2517	4.1
TL40H100	86.00	CF	40	6.366	6.312	6-9/16	7/16	1-3/4	4-7/16	1-5/16	TL2517	8.4
TL48H100	104.00	CF	48	7.639	7.585	7-7/8	11/32	1-3/4	4-7/16	1-5/16	TL2517	13.0
1-1/2" (150)												
TL14H150	42.60	AF	14	2.228	2.174	2-15/32	15/32	7/8	-	1-13/16	TL1008	1.0
TL16H150	43.60	AF	16	2.546	2.492	2-25/32	15/32	7/8	-	1-13/16	TL1008	1.5
TL18H150	45.00	CF	18	2.865	2.811	3-1/8	-	1-1/2	-	1-13/16	TL1215	1.8
TL20H150	46.20	CF	20	3.183	3.129	3-27/64	-	1-1/2	-	1-13/16	TL1215	2.4
TL22H150	51.00	CF	22	3.501	3.447	3-3/4	-	1-1/2	-	1-13/16	TL1615	2.8
TL24H150	57.00	CF	24	3.820	3.766	4-1/16	-	1-1/4	-	1-13/16	TL2012	3.1
TL26H150	64.00	CF	26	4.138	4.084	4-3/8	-	1-1/4	-	1-13/16	TL2012	3.8
TL28H150	71.00	CF	28	4.456	4.402	4-11/16	-	1-1/4	-	1-13/16	TL2012	4.8
TL30H150	74.00	CF	30	4.775	4.721	5	-	1-1/4	-	1-13/16	TL2012	5.1
TL32H150	78.00	CF	32	5.093	5.039	5-21/64	-	1-3/4	-	1-13/16	TL2517	5.3
TL40H150	96.00	CF	40	6.366	6.312	6-9/16	-	1-3/4	-	1-13/16	TL2517	9.2
TL48H150	116.00	CF	48	7.639	7.585	7-7/8	-	1-3/4	-	1-13/16	TL2517	16.8
2" (200)												
TL16H200	49.00	AF	16	2.546	2.492	2-25/32	47/64	7/8	-	2-11/32	TL1008	1.9
TL18H200	52.00	AF	18	2.865	2.811	3-1/8	27/64	1-1/2	-	2-11/32	TL1215	2.2
TL20H200	57.00	AF	20	3.183	3.129	3-27/64	27/64	1-1/2	-	2-11/32	TL1215	3.1
TL22H200	62.00	AF	22	3.501	3.447	3-3/4	27/64	1-1/2	-	2-11/32	TL1615	3.4
TL24H200	67.00	AF	24	3.820	3.766	4-1/16	43/64	1-1/4	-	2-11/32	TL2012	3.1
TL26H200	72.00	AF	26	4.138	4.084	4-3/8	43/64	1-1/4	-	2-11/32	TL2012	4.3
TL28H200	77.00	AF	28	4.456	4.402	4-11/16	43/64	1-1/4	-	2-11/32	TL2012	5.3
TL30H200	80.00	AF	30	4.775	4.721	5	43/64	1-1/4	-	2-11/32	TL2012	7.0
TL32H200	86.00	CF	32	5.093	5.039	5-21/64	-	1-3/4	-	2-11/32	TL2517	6.8
TL40H200	124.00	CF	40	6.366	6.312	6-9/16	-	1-3/4	-	2-11/32	TL2517	13.5
TL48H200	120.00	CF	48	7.639	7.585	7-7/8	-	2	-	2-11/32	TL3020	18.9
3" (300)												
TL18H300	78.00	AF	18	2.865	2.811	3-1/8	15/16	1-1/2	-	3-3/8	TL1215	3.0
TL20H300	84.00	AF	20	3.183	3.129	3-27/64	15/16	1-1/2	-	3-3/8	TL1215	4.2
TL22H300	92.00	AF	22	3.501	3.447	3-3/4	15/16	1-1/2	-	3-3/8	TL1215	4.6
TL24H300	100.00	AF	24	3.820	3.766	4-1/16	1-1/16	1-1/4	-	3-3/8	TL2012	3.8
TL26H300	106.00	AF	26	4.138	4.084	4-3/8	1-1/16	1-1/4	-	3-3/8	TL2012	5.4
TL28H300	116.00	AF	28	4.456	4.402	4-11/16	1-1/16	1-1/4	-	3-3/8	TL2012	8.0
TL30H300	114.00	AF	30	4.775	4.721	5	43/64	1-1/4	-	3-3/8	TL2012	7.0
TL32H300	122.00	-	32	5.039	5.039	-	13/16	1-3/4	-	3-3/8	TL2517	7.4
TL40H300	130.00	-	40	6.312	6.312	-	13/16	1-3/4	-	3-3/8	TL2517	12.1
TL48H300	138.00	-	48	7.585	7.585	-	11/16	2	-	3-3/8	TL3020	16.3

* Weights shown are approximate.

Pulley Type: F = Flanged

† Prices do not include bushing.

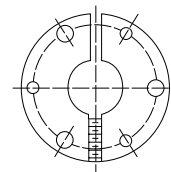
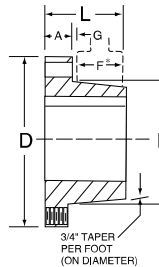
Dimensions shown are for reference purposes only and are subject to change without notice. Where space requirements are critical, consult Bando for certified specifications.

BANDO

QD®



The original sheave and pulley mounting system developed to facilitate installation and replacement of components. The QD® (Quick Detachable) design provides for both conventional (flange outboard) and reverse (flange inboard) mounting configurations.



A setscrew over the keyway prevents key drift.

Bushing Size	List Price	Weight* (Lbs.)	Nominal Dimensions (in)						Bore Range (in)				Bolt	Cap Screws Required
			A	B	D	F ³	G	L	Min.	Full Keyway	Shallow Keyway†	No Key		
D	9.70	0.4	1/4	1.625	2-1/2	9/16	3/16	1-1/4	3/8	1-7/16	-	-	2	(2) 1/4 X 3/4
	12.60	0.8	5/16	1.375	2	9/16	3/16	1	1/2	1	1-3/16	1-1/4	1-21/32	(3) 10-24 X 1
	17.20	0.9	7/16	1.871	2-11/16	3/4	7/32	1-5/16	1/2	1-3/8	1-5/8	1-11/16	2-1/4	(3) 1/4-20 X 1-3/8
	20.00	1.3	7/16	2.187	3-3/16	3/4	1/4	1-5/16	1/2	1-5/8	1-15/16	2	2-11/16	(3) 1/4-20 X 1-3/8
SD	24.00	1.5	7/16	2.187	3-3/16	1-1/4	1/4	1-13/16	1/2	1-5/8	1-15/16	2	2-11/16	(3) 1/4-20 X 1-7/8
SK	31.00	2.8	9/16	2.812	3-29/32	1-1/4	1/4	1-15/16	1/2	2-1/8	2-1/2	2-5/8	3-15/16	(3) 5/16-18 X 2
	38.00	3.9	5/8	3.125	4-5/8	1-1/4	1/4	2-1/16	1/2	2-5/16	2-13/16	2-15/16	3-7/8	(3) 3/8-16 X 2
	80.00	8.5	7/8	3.834	6	1-5/8	1/4	2-3/4	7/8	2-7/8	3-1/2	-	5	(3) 1/2-13 X 2-3/4
	128.00	14.0	1	4.437	6-5/8	2-1/2	11/32	3-3/4	1	3-5/16	3-15/16	4	5-5/8	(3) 9/16-12 X 3-5/8
	160.00	22.0	1-1/8	5.145	7-1/4	3-3/16	7/16	4-5/8	1-1/2	3-3/4	4-1/2	-	6-1/4	(3) 5/8-11 X 4-1/2
M	320.00	49.0	1-1/4	6.496	9	5-3/16	7/16	6-3/4	2	4-3/4	5-1/2	-	7-7/8	(4) 3/4-10 X 6-3/4

³ Length of taper in mating bore

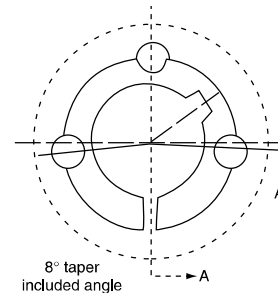
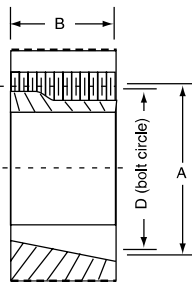
† Shallow key furnished with bushing

* Weights shown are approximate and are based on mid-range bore size.

TL®



TL® bushings are preferred where mounting space is at a premium. The TL® bushing can only be installed in the conventional (large end outboard) position.



Bushing Size	List Price	Weight * (Lbs.)	Nominal Dimensions (in)			Bore Range (in)			Setscrews
			A	B	D	Min.	Full Keyway	Shallow Keyway†	
TL1008	11.60	0.2	1.386	7/8	1-21/64	1/2	7/8	1	(2) 1/4 X 1/2
TL1108	12.00	0.2	1.511	7/8	1-21/64	1/2	1	1-1/8	(2) 1/4 X 1/2
TL1210	12.80	0.5	1-7/8	1	1-3/4	1/2	1-1/4	-	(2) 3/8 X 5/8
TL1215	14.00	0.6	1-7/8	1-1/2	1-3/4	1/2	1-1/4	-	(2) 3/8 X 5/8
TL1310	14.40	0.7	2	1	1-7/8	1/2	1-1/4	1-7/16	(2) 3/8 X 5/8
TL1610	14.80	0.8	2-1/4	1	2-1/8	1/2	1-1/2	1-11/16	(2) 3/8 X 5/8
TL1615	15.40	1.0	2-1/4	1-1/2	2-1/8	1/2	1-1/2	1-11/16	(2) 3/8 X 5/8
TL2012	20.00	1.4	2-3/4	1-1/4	2-5/8	1/2	1-7/8	2-1/8	(2) 7/16 X 7/8
TL2517	24.60	2.8	3-3/8	1-3/4	3-1/4	1/2	2-1/4	2-11/16	(2) 1/2 X 1
TL2525	36.40	3.8	3-3/8	2-1/2	3-1/4	3/4	2-1/4	2-1/2	(2) 1/2 X 1
TL3020	37.00	5.8	4-1/4	2	4	7/8	2-3/4	3-1/4	(2) 5/8 X 1-1/4
TL3030	54.00	7.4	4-1/4	3	4	15/16	2-3/4	3-1/4	(2) 5/8 X 1-1/4
TL3525	67.72	7.9	5	2-1/2	4.83	1-3/16	3-1/4	3-1/2	(2) 1/2 X 1-1/2
TL3535	76.00	9.5	5	3-1/2	4.83	1-3/16	3-1/4	3-15/16	(3) 1/2 X 1-1/2
TL4030	108.72	13.2	5-3/4	3	5.54	1-7/16	3-5/8	4	(2) 5/8 X 1-3/4
TL4040	122.00	15.0	5-3/4	4	5.54	1-7/16	3-3/4	4-7/16	(3) 5/8 X 1-3/4
TL4535	147.32	15.2	6-3/8	4-1/2	6.13	1-15/16	4-1/4	4-1/2	(2) 3/4 X 2
TL5040	203.52	22.2	7	5	6.72	2-7/16	4-1/2	5	(2) 7/8 X 2-1/4
TL6050	584.00	52.4	9-1/4	5	9	4-7/17	6	-	(3) 1-1/4 X 3-1/2

* Weights shown are approximate and are based on mid-range bore size.

† Shallow key furnished with bushing

Dimensions show are for reference purposes only and are subject to change without notice. Where space requirements are critical, consult Bando for certified specifications.